



Radioactive Marker Sub

TC-120-2375-080

TC-120-2875-080

TC-120-3500-080

TC-120-4500-080

MAN-TC-120 (R02)

Owen Oil Tools

5405 39139 Hwy 2A
Red Deer County Alberta Canada T4S 2B3
Phone: 1-403-340-1017
Fax: 1-403-340-1415
Toll Free: 1-888-345-1017

Warning: Use of Owen equipment contrary to manufacturer's specifications or operating instructions may result in property damage, serious injury or fatality. If you are not trained in the handling and use of explosive devices, do not attempt to use or assemble any Owen perforating systems or Owen firing devices.

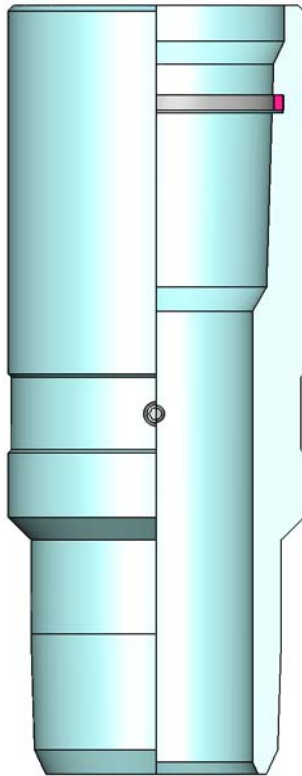
Owen Oil Tools pre-assembles its tools as per the field operating manual. It is the responsibility of the purchaser to insure that this tool is assembled as required, prior to use.

This technology is regulated by and, if exported, was exported from the United States in accordance with the Export Administration Regulations (EAR). Diversion contrary to US Department of Commerce. Consult the BIS, the EAR and/or Owen Compliance Services, Inc. to determine licensing requirements for export or re-export of this technology.

This document contains Confidential information of Owen Oil Tools LP (Owen) and is furnished to the customer for information purposes only. This document must not be reproduced in any way whatsoever, in part or in whole, or distributed outside the customer organization, without first obtaining the express written authorization of Owen. This document is the property of Owen and returnable upon request by Owen.



Blank Page



Description

The Radioactive (RA) Marker Sub is run in a TCP string above the Firing Head or Packer, and is used for accurate depth control.

A small radioactive pellet is inserted into the cavity of the sub and can be readily detected by wireline gamma ray logging tools. The gamma ray log done inside the tubing can be compared to the open hole logs with the location of the RA Marker superimposed. This gives the exact location of the Marker with respect to the formation of interest, so gun placement may be done extremely accurately as a comparison to pipe tally calculations.

Features and Benefits

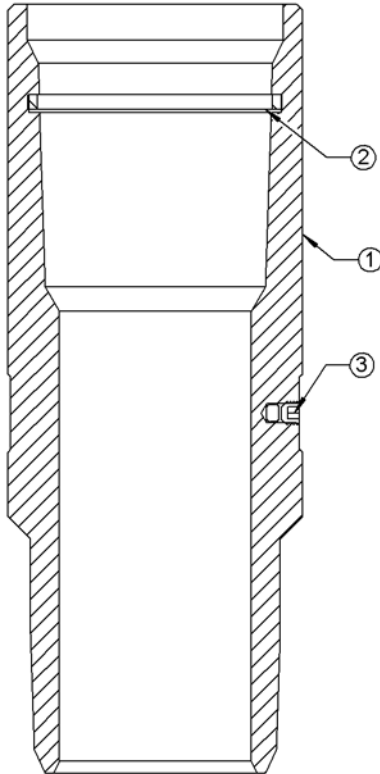
- Radioactive (RA) Marker Sub is highly visible on gamma/neutron logs and allows comparison to open hole logs for accurate gun placement across zone
- Radioactive source is contained in a chamber and held in place by a setscrew, ensuring recovery

Note: this part does not include the Radioactive Source

Specifications

2-3/8 in (60.3 mm)		2-7/8 in (73.0 mm)		3-1/2 in (88.9 mm)		4-1/2 in (114.3 mm)	
3.062 in	77.8 mm	3.688 in	93.6 mm	4.50 in	114.3 mm	5.563 in	141.3 mm
1.995 in	50.6 mm	2.441 in	62.0 mm	2.992 in	76.0 mm	3.958 in	100.5 mm
8.0 in	203 mm	8.0 in	203 mm	8.0 in	203 mm	9.0 in	229 mm
10,000 psi	68.9 MPa	10,000 psi	68.9 MPa	10,000 psi	68.9 MPa	10,000 psi	68.9 MPa
2-3/8 in (60.3 mm) EU Box X Pin		2-7/8 in (73.0 mm) EU Box X Pin		3-1/2 in (88.9 mm) EU Box X Pin		4-1/2 in (114.3 mm) EU Box X Pin	
TC-120-2375-080		TC-120-2875-080		TC-120-3500-080		TC-120-4500-080	

Note: Premium connections are available upon request



Item	Part Number	Qty	Description
--	TC-120-1900-000	--	Radioactive Marker Sub 1.900 NU
1	TC-120-0000-000	1	Body RA Marker 1.900 NU
2	MI-305-1900-000	1	Seal Ring 1.900" EU
3	PF-001-025C-018SS	1	Set Screw SO 1/4"-20 UNC x 3/16 Stainless

Item	Part Number	Qty	Description
--	TC-120-2375-080	--	Radioactive Marker Sub 2-3/8" EU
1	TC-120-0001-080	1	RA Marker Sub Body 2-3/8" EU L80
2	MI-305-2375-000	1	Seal Ring 2-3/8" EU
3	PF-001-025C-018SS	1	Set Screw SO 1/4"-20 UNC x 3/16 Stainless

Item	Part Number	Qty	Description
--	TC-120-2875-080	--	Radioactive Marker Sub 2-7/8" EU
1	TC-120-0002-080	1	RA Marker Sub Body 2-7/8" EU L80
2	MI-305-2875-000	1	Seal Ring 2-7/8" EU
3	PF-001-025C-018SS	1	Set Screw SO 1/4"-20 UNC x 3/16 Stainless

Item	Part Number	Qty	Description
--	TC-120-3500-080	--	Radioactive Marker Sub 3-1/2" EU
1	TC-120-0003-080	1	RA Marker Sub Body 3-1/2" EU L80
2	MI-305-3500-000	1	Seal Ring 3-1/2" EU
3	PF-001-025C-018SS	1	Set Screw SO 1/4"-20 UNC x 3/16 Stainless

Item	Part Number	Qty	Description
--	TC-120-4500-080	--	Radioactive Marker Sub 4-1/2" EU
1	TC-120-0009-080	1	RA Marker Sub Body 4-1/2" EU L80
2	MI-305-4500-000	1	Seal Ring 4-1/2" EU
3	PF-001-025C-018SS	1	Set Screw SO 1/4"-20 UNC x 3/16 Stainless

Item	Part Number	Qty	Description
--	TC-120-5500-000	--	Radioactive Marker Collar 5-1/2" Casing
1	TC-120-0007-000	1	RA Collar, 5-1/2" Casing
2	MI-305-5500-000	1	Seal Ring 5-1/2" EU
3	PF-001-025C-018SS	1	Set Screw SO 1/4"-20 UNC x 3/16 Stainless

