



Drop Bar, Slim Nose

TC-130

Drop Bar, Slim Nose, Brass Button

TC-132

MAN-TC-130-132

Owen Oil Tools

5405 39139 Hwy 2A
Red Deer County Alberta Canada T4S 2B3
Phone: 1-403-340-1017
Fax: 1-403-340-1415
Toll Free: 1-888-345-1017

Warning: Use of Owen equipment contrary to manufacturer's specifications or operating instructions may result in property damage, serious injury or fatality. If you are not trained in the handling and use of explosive devices, do not attempt to use or assemble any Owen perforating systems or Owen firing devices.

Owen Oil Tools pre-assembles its tools as per the field operating manual. It is the responsibility of the purchaser to insure that this tool is assembled as required, prior to use.

This technology is regulated by and, if exported, was exported from the United States in accordance with the Export Administration Regulations (EAR). Diversion contrary to US Department of Commerce. Consult the BIS, the EAR and/or Owen Compliance Services, Inc. to determine licensing requirements for export or re-export of this technology.

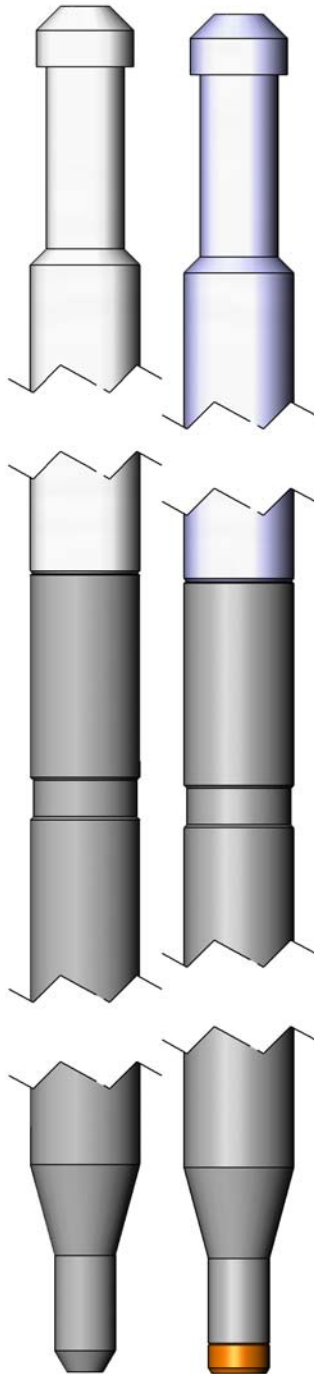
This document contains Confidential information of Owen Oil Tools LP (Owen) and is furnished to the customer for information purposes only. This document must not be reproduced in any way whatsoever, in part or in whole, or distributed outside the customer organization, without first obtaining the express written authorization of Owen. This document is the property of Owen and returnable upon request by Owen.

Drop Bar, Slim Nose
TC-130
Drop Bar, Slim Nose Brass Button
TC-132

Owen Oil Tools



Blank Page



Note: 10 ft. (3.05 m) Drop Bars shown are 2 piece assemblies.

3 ft. (0.91 m) through 6 ft. (1.83 m) Drop Bars are 1 piece

For use with Mechanical Firing Head, Econo Style
Description

The Drop Bar, Slim Nose is used to activate the Mechanical Firing Head, Econo Style by the impact generated when it strikes the Firing Pin. This Drop Bar is also used to fragment temporary tubing blanking devices such as Differential Subs, Surge Tools and accessories like Pressure Release (KOBÉ) Subs. These drop bars can be used in wells up to 40° inclination from vertical.

After the guns have been fired, the Drop Bar, Slim Nose may be retrieved with a standard wireline retrieving tool either on slickline, braided sand line or wireline. The bars are manufactured with a 1.125 inch (28.6 mm) OD, ensuring passage through tubing restrictions such as No-Go Nipples.

The standard Drop Bar, Slim Nose may be reused several times, however, the operating life of the bar may be increased by using the Slim Nose Brass Button Drop Bar. The replaceable brass button deforms upon impact with the firing pin. When this drop bar is retrieved to surface, a visual inspection confirms the drop bar has impacted the Firing Head.

Drop Bars are available in a variety of lengths to suit various applications and tubing configurations.

Specifications

	Standard Slim Nose Bar		Brass Button Bar	
Maximum OD	1.125 in	28.6 mm	1.125 in	28.6 mm
Fish Neck OD	1.000 in (25.4 mm)			
Fish Neck Length	2.500 in (63.5 mm)			
Fish Neck Undercut	0.800 in (20.3 mm)			
Percussion Neck OD	0.625 in	15.9 mm	0.625 in	15.9 mm
Percussion Neck Length	1.25 in	32 mm	1.187 in	30.2 mm
Length	Weight			
3 ft (0.914 m)	9.5 lb	4.3 kg	10.0 lb	4.5 kg
4 ft (1.22 m)	12.2 lb	5.5 kg	12.8 lb	5.8 kg
5 ft (1.52 m)	16.4 lb	7.4 kg	17.0 lb	7.7 kg
6 ft (1.83 m)	20.0 lb	9.1 kg	21.8 lb	9.9 kg
10 ft (3.05 m)	33.2 lb	15.1 kg	34.0 lb	15.4 kg

Product Numbers		
Length	Standard Slim Nose Bar	Brass Button Bar
3 ft (0.914 m)	TC-130-0004-003	TC-132-1125-003
4 ft (1.22 m)	TC-130-0004-004	TC-132-1125-004
5 ft (1.52 m)	TC-130-0004-005	TC-132-1125-005
6 ft (1.83 m)	TC-130-0004-006	TC-132-1125-006
10 ft (3.05 m)	TC-130-1125-010	TC-132-1125-010

Slim OD Drop Bars for use with wellhead isolation equipment, are available upon request

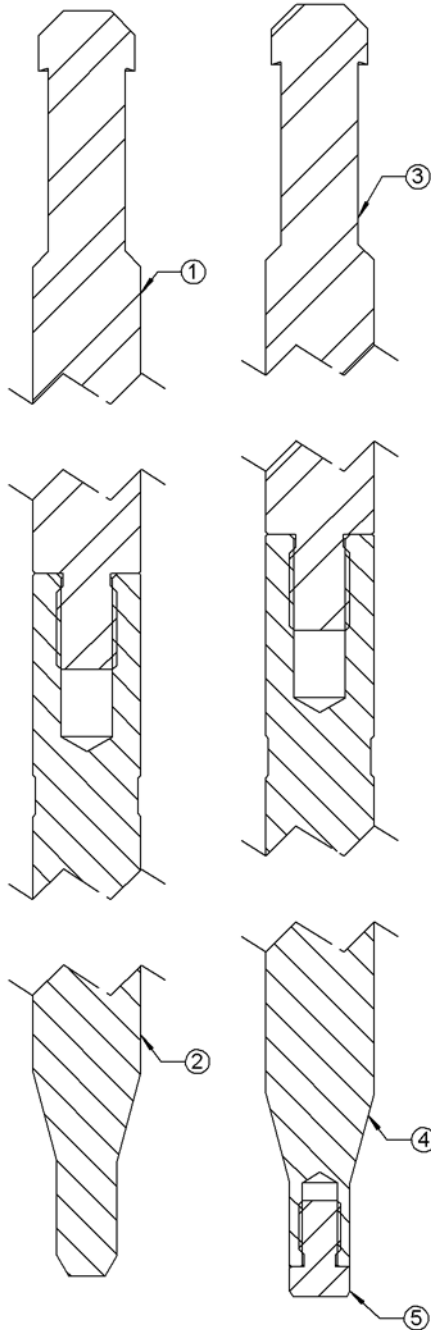
Drop Bar, Slim Nose

TC-130

Drop Bar, Slim Nose Brass Button

TC-132

Owen Oil Tools



Item	Part Number	Qty	Description
--	TC-130-0004-003	1	Drop Bar, Slim Nose, 1.125 OD x 3 ft (0.9 m)
--	TC-130-0004-004	1	Drop Bar, Slim Nose, 1.125 OD x 4 ft (1.2 m)
--	TC-130-0004-005	1	Drop Bar, Slim Nose, 1.125 OD x 5 ft (1.5 m)
--	TC-130-0004-006	1	Drop Bar, Slim Nose, 1.125 OD x 6 ft (1.8 m)

Item	Part Number	Qty	Description
--	TC-132-1000-003	1	Drop Bar, Slim Nose, Brass Button, 1.000" OD x 3 ft (0.9 m)
--	TC-132-1000-004	1	Drop Bar, Slim Nose, Brass Button, 1.000" OD x 4 ft (1.2 m)
--	TC-132-1000-005	1	Drop Bar, Slim Nose, Brass Button, 1.000" OD x 5 ft (1.5 m)
--	TC-132-1000-006	1	Drop Bar, Slim Nose, Brass Button, 1.000" OD x 6 ft (1.8 m)

Item	Part Number	Qty	Description
--	TC-132-1125-003	1	Drop Bar, Slim Nose, Brass Button, 1.125" OD x 3 ft (0.9 m)
--	TC-132-1125-004	1	Drop Bar, Slim Nose, Brass Button, 1.125" OD x 4 ft (1.2 m)
--	TC-132-1125-005	1	Drop Bar, Slim Nose, Brass Button, 1.125" OD x 5 ft (1.5 m)
--	TC-132-1125-006	1	Drop Bar, Slim Nose, Brass Button, 1.125" OD x 6 ft (1.8 m)

Item	Part Number	Qty	Description
--	TC-132-1250-003	1	Drop Bar, Slim Nose, Brass Button, 1.25" OD x 3 ft (0.9 m)
--	TC-132-1250-004	1	Drop Bar, Slim Nose, Brass Button, 1.25" OD x 4 ft (1.2 m)
--	TC-132-1250-005	1	Drop Bar, Slim Nose, Brass Button, 1.25" OD x 5 ft (1.5 m)
--	TC-132-1250-006	1	Drop Bar, Slim Nose, Brass Button, 1.25" OD x 6 ft (1.8 m)

Multiple Piece Drop Bars

Item	Part Number	Qty	Description
--	TC-130-1125-010	--	Drop Bar, Slim Nose, 1.125 OD 10 ft (3.0 m)
1	TC-130-0000-010	1	Drop Bar, Slim Nose, 1.125 OD 5 ft (1.5 m) Top Section
2	TC-130-0001-010	1	Drop Bar, Slim Nose, 1.125 OD 5 ft (1.5 m) Bottom Section

Item	Part Number	Qty	Description
--	TC-132-1125-010	--	Drop Bar, Slim Nose, 1.125 OD 10 ft (3.0 m)
3	TC-130-0000-010	1	Drop Bar, Slim Nose, 1.125 OD 5 ft (1.5 m) Top Section
4	TC-132-0002-010	1	Drop Bar, Slim Nose, Brass Button, 5 ft (1.5 m) Bottom
5	TC-132-0001-000	1	Slim Nose, Brass Button