



Tagline Handling Sub

TC-151

MAN-TC-151 (R01)

OWEN OIL TOOLS

5405 Blindman Crescent
Red Deer County Alberta Canada T4S 2M4
Phone: 1-403-340-1017
Fax: 1-403-340-1415
Toll Free: 1-888-345-1017
www.corelab.com/owen

Warning: Use of Owen equipment contrary to manufacturer's specifications or operating instructions may result in property damage, serious injury or fatality. If you are not trained in the handling and use of explosive devices, do not attempt to use or assemble any Owen perforating systems or Owen firing devices.

This technology is regulated by and, if exported, was exported from the United States in accordance with the Export Administration Regulations (EAR). Diversion contrary to U.S. law is prohibited. Export and/or re-export of this technology may require issuance of a license by the Bureau of Industry and Security (BIS), US Department of Commerce. Consult the BIS, the EAR and/or Owen Compliance Services, Inc. to determine licensing requirements for export or re-export of this technology.

This document contains Confidential information of Owen Oil Tools LP (Owen) and is furnished to the customer for information purposes only. This document must not be reproduced in any way whatsoever, in part or in whole, or distributed outside the customer organization, without first obtaining the express written authorization of Owen. This document is the property of Owen and returnable upon request by Owen.

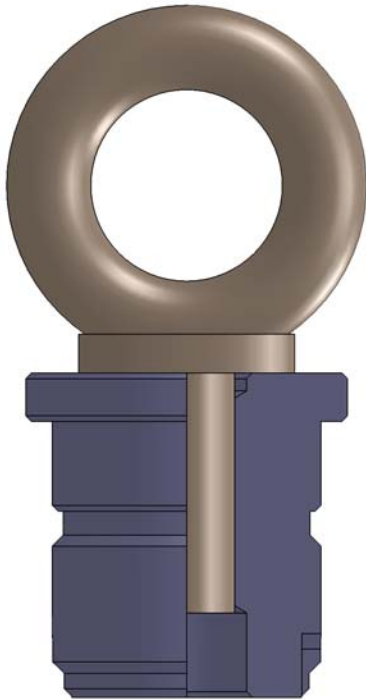
©2011, 2015 Owen Oil Tools All rights reserved.



Blank Page

Description

The Tagline Handling Sub is used to connect a tagline to the bottom end of the gun to help control the gun while it is being lifted or moved with the use of a winch line and rig hoisting equipment.



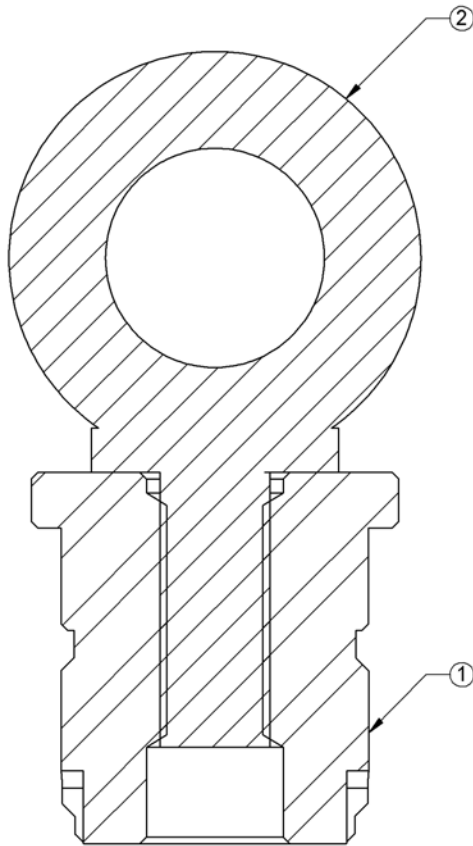
Features and Benefits

- Sizes available for 73mm to 127mm.
- Compact size.
- Easily threads into the bottom of carrier.
- All assemblies are rated according to the “Eye-Bolt” rating

All Assemblies:

Working Load Limit: 13,300 lbf

Proof Load: 26,600 lbf



Item	Part Number	Qty	Description
--	TC-151-0073-000	--	Tagline Handling Sub
1	TC-151-0073-000	1	Handling Sub, 73mm Gun Pin
2	PF-051-100C-250	1	Eye Bolt, Crosby 1" 8 TPI UNC x 2-1/2 LG. #9900253

Item	Part Number	Qty	Description
--	TC-151-0079-000	--	Tagline Handling Sub
1	TC-151-0079-000	1	Handling Sub, 79mm Gun Pin
2	PF-051-100C-250	1	Eye Bolt, Crosby 1" 8 TPI UNC x 2-1/2 LG. #9900253

Item	Part Number	Qty	Description
--	TC-151-0086-000	--	Tagline Handling Sub
1	TC-151-0086-000	1	Handling Sub, 86mm Gun Pin
2	PF-051-100C-250	1	Eye Bolt, Crosby 1" 8 TPI UNC x 2-1/2 LG. #9900253

Item	Part Number	Qty	Description
--	TC-151-0101-000	--	Tagline Handling Sub
1	TC-151-0101-000	1	Handling Sub, 101mm Gun Pin
2	PF-051-100C-250	1	Eye Bolt, Crosby 1" 8 TPI UNC x 2-1/2 LG. #9900253

Item	Part Number	Qty	Description
--	TC-151-0114-000	--	Tagline Handling Sub
1	TC-151-0114-000	1	Handling Sub, 114mm Gun Pin
2	PF-051-100C-250	1	Eye Bolt, Crosby 1" 8 TPI UNC x 2-1/2 LG. #9900253

Item	Part Number	Qty	Description
--	TC-151-0127-000	--	Tagline Handling Sub
1	TC-151-0127-000	1	Handling Sub, 127mm Gun Pin
2	PF-051-100C-250	1	Eye Bolt, Crosby 1" 8 TPI UNC x 2-1/2 LG. #9900253