



Wellhead Hanger Plates

TC-160-2750-000

TC-160-3375-000

TC-160-4000-000

TC-160-4500-000

TC-160-5000-000

MAN-TC-160 (R03)

Owen Oil Tools

5405 39139 Hwy 2A
Red Deer County Alberta Canada T4S 2B3
Phone: 1-403-340-1017
Fax: 1-403-340-1415
Toll Free: 1-888-345-1017

Warning: Use of Owen equipment contrary to manufacturer's specifications or operating instructions may result in property damage, serious injury or fatality. If you are not trained in the handling and use of explosive devices, do not attempt to use or assemble any Owen perforating systems or Owen firing devices.

Owen Oil Tools pre-assembles its tools as per the field operating manual. It is the responsibility of the purchaser to insure that this tool is assembled as required, prior to use.

This technology is regulated by and, if exported, was exported from the United States in accordance with the Export Administration Regulations (EAR). Diversion contrary to US Department of Commerce. Consult the BIS, the EAR and/or Owen Compliance Services, Inc. to determine licensing requirements for export or re-export of this technology.

This document contains Confidential information of Owen Oil Tools LP (Owen) and is furnished to the customer for information purposes only. This document must not be reproduced in any way whatsoever, in part or in whole, or distributed outside the customer organization, without first obtaining the express written authorization of Owen. This document is the property of Owen and returnable upon request by Owen.



Blank Page



Description

The **Wellhead Hanger Plate** is used for running tubing conveyed perforating guns into the well. The plate is set on top of the service rig slips, and temporarily used to hang the guns which have already been deployed, while the next gun assembly is being picked up.

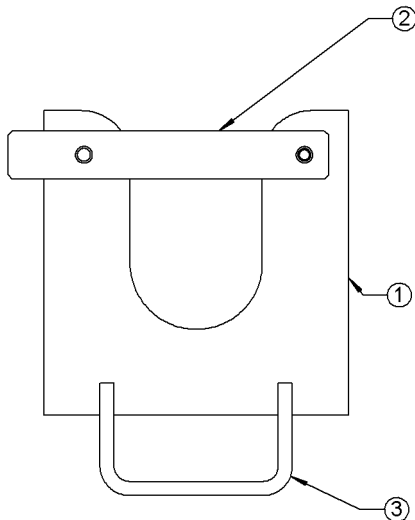
The Wellhead Hanger Plate features a slot which fits into a groove machined into each Tandem Sub. This retains the gun in the Hanger Plate with a Latching Bar, which may be locked in place. After the guns have been deployed and tubing is to be run, the Hanger Plate can be removed and replaced by the rig slips.

These Hanger Plates can also be used for Dump Bailers where applicable.

Specifications



Wellhead Hanger Plate	Product	Rating	
1-11/16" (43 mm) Guns, 1-11/16" Dump Bailer & 1-1/2" Dump Bailer	TC-160-1688-000	53,546 lbf	23,817 daN
		47,582 lbf	21,164 daN
2-1/8" (54 mm) Guns & 2" Dump Bailer	TC-160-2125-000	67,408 lbf	29,983 daN
		63,443 lbf	28,219 daN
2-3/4" (70 mm) & 2-7/8" (73 mm) Guns	TC-160-2750-000	87,200 lbf	38 800 daN
3-1/8" (79 mm), 3-3/8" (86 mm) Guns & 3" Dump Bailer	TC-160-3375-000	107,000 lbf	47 600 daN
4" (101 mm) Guns & 3-1/2" Dump Bailer	TC-160-4000-000	126,900 lbf	56 400 daN
4-1/2" (114 mm) Guns	TC-160-4500-000	142,700 lbf	63 500 daN
5" (127 mm) Guns	TC-160-5000-000	158,600 lbf	70 500 daN
5" Dump Bailer	TC-160-5000-400	158,600 lbf	70 500 daN



Item	Part Number	Qty	Description
--	TC-160-1688-000	--	Wellhead Hanger Plate for 1-11/16" Guns
1	TC-160-0005-168	1	1/2" Wellhead Hanger Plate for 43 mm Subs
2	TC-160-0003-000	1	Stop Bar
3	TC-160-0004-000	1	Handle

Item	Part Number	Qty	Description
--	TC-160-2125-000	--	Wellhead Hanger Plate for 2-1/8" Guns & 2" Dump Bailer
1	TC-160-0005-213	1	1/2" Wellhead Hanger Plate for 54 mm Subs
2	TC-160-0003-000	1	Stop Bar
3	TC-160-0004-000	1	Handle

Item	Part Number	Qty	Description
--	TC-160-2750-000	--	Wellhead Hanger Plate for 2-3/4" & 2-7/8" Guns
1	TC-160-0005-275	1	1/2" Wellhead Hanger Plate for 70 mm & 73 mm Subs
2	TC-160-0003-000	1	Stop Bar
3	TC-160-0004-000	1	Handle

Item	Part Number	Qty	Description
--	TC-160-3375-000	--	Wellhead Hanger Plate for 3-1/8" & 3-3/8" Guns & 3" Dump Bailer
1	TC-160-0005-338	1	1/2" Wellhead Hanger Plate for 79 mm & 86 mm Subs
2	TC-160-0003-000	1	Stop Bar
3	TC-160-0004-000	1	Handle

Item	Part Number	Qty	Description
--	TC-160-4000-000	--	Wellhead Hanger Plate for 4" Guns & 3-1/2" Dump Bailer
1	TC-160-0005-400	1	1/2" Wellhead Hanger Plate for 101 mm Subs
2	TC-160-0003-000	1	Stop Bar
3	TC-160-0004-000	1	Handle

Item	Part Number	Qty	Description
--	TC-160-4500-000	--	Wellhead Hanger Plate for 4-1/2" Guns
1	TC-160-0005-450	1	1/2" Wellhead Hanger Plate for 114 mm Subs
2	TC-160-0003-000	1	Stop Bar
3	TC-160-0004-000	1	Handle

Item	Part Number	Qty	Description
--	TC-160-5000-400	--	Wellhead Hanger Plate for 5" Dump Bailer
1	TC-160-0006-500	1	1/2" Wellhead Hanger Plate for 5" Dump Bailer
2	TC-160-0003-000	1	Stop Bar
3	TC-160-0004-000	1	Handle

Item	Part Number	Qty	Description
--	TC-160-5000-000	--	Wellhead Hanger Plate for 5" Guns
1	TC-160-0005-500	1	1/2" Wellhead Hanger Plate for 127 mm Subs
2	TC-160-0003-000	1	Stop Bar
3	TC-160-0004-000	1	Handle