



# 2.750 in. HERO® PerFRAC

## 0.42 in. EH , RDX, PFC-2717-342

### TECHNICAL INFORMATION:

#### APPLICATION:

HERO®PerFRAC charges are specifically designed to have consistent entry hole sizes, regardless of gun position, to improve the efficiency of fracturing operations in today's unconventional reservoirs.

#### SPECIFICATIONS:

##### NET EXPLOSIVE WEIGHT:

16.8 grams

##### TOTAL CHARGE WEIGHT:

142.5 grams

##### TEMPERATURE RATING:

330°F - 1 hour  
260°F - 24 hours  
240°F - 100 hours

#### PACKAGING:

##### QUANTITY PER BOX:

50

##### NET ITEM WEIGHT:

840 grams

##### NET CHARGE WEIGHT:

7125 grams

##### TOTAL PACKAGE WEIGHT:

7500 grams

##### BOX DIMENSIONS:

14 in. W x 14 in. L x 9 in. D

##### SHELF LIFE:

5 years (left in original packaging)

##### PACKAGE TYPE:

Charges in foil bag with desiccant; inside cardboard box with cardboard spacers

#### SHIPPING:

##### CLASSIFICATION:

1.4D

##### DOT NUMBER:

EX1994050290

##### CE NUMBER:

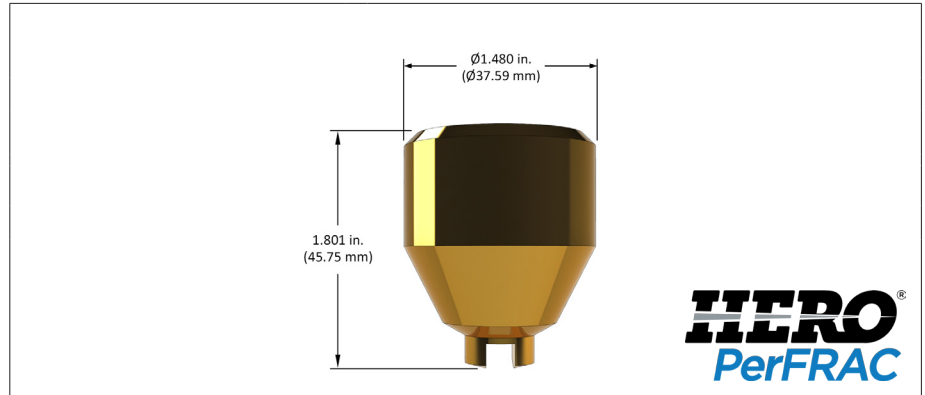
Not currently CE certified

##### UN NUMBER:

UN0440

##### PROPER SHIPPING NAME:

CHARGES, SHAPED



#### HOLE SIZE DATA:

CASING	SHOT DENSITY / PHASING	AVG. HOLE SIZE (IN.)	MIN. HOLE SIZE (IN.)	MAX. HOLE SIZE (IN.)	HOLE VARIATION (STDEV)
4.50 in. 11.6# P-110	6 spf / 60°	0.42	0.37	0.44	6.6%
4.50 in. 13.5# P-110	6 spf / 60°	0.42	0.37	0.45	6.6%
4.50 in. 15.1# P-110	4 spf / 60°	0.42	0.40	0.44	4.9%
5.50 in. 17# P-110	6 spf / 60°	0.35	0.23	0.44	23.3%
5.50 in. 23# P-110	6 spf / 60°	0.37	0.26	0.45	20.2%

#### PENETRATION DATA - API RP-19B SECTION 2:

FORMATION CORE TYPE	PENETRATION (IN.)	OVERBURDEN (PSI)	UCS (PSI)	POROSITY
Berea	6.75	9,500	4,862	20.1%
Shale	5.13	9,500	19,838	6.0%

#### SYSTEM TESTED:

2.750 in. 6 spf 60° in 4.50 in. 11.6# P-110

#### DEBRIS DATA - API RP-19B SECTION 5:

Weight of debris lost at detonation 265.87 grams per linear foot  
Total weight of debris lost 386.87 grams per linear foot  
Volume of total debris lost 258.12 cm<sup>3</sup> per linear foot

#### GUN SWELL DATA - API RP-19B SECTION 6:

AIR (IN.)	FLUID (IN.)
2.94 (4 spf)	2.90 (6 spf)