



# 3.125 in. HERO® PerFRAC

## 0.36 in. EH, RDX, PFC-3121-336

### TECHNICAL INFORMATION:

#### APPLICATION:

HERO®PerFRAC charges are specifically designed to have consistent entry hole sizes, regardless of gun position, to improve the efficiency of fracturing operations in today's unconventional reservoirs.

#### SPECIFICATIONS:

##### NET EXPLOSIVE WEIGHT:

21.5 grams

##### TOTAL CHARGE WEIGHT:

238.2 grams

##### TEMPERATURE RATING:

330°F - 1 hour  
260°F - 24 hours  
240°F - 100 hours

#### PACKAGING:

##### QUANTITY PER BOX:

50

##### NET ITEM WEIGHT:

1075 grams

##### NET CHARGE WEIGHT:

11500 grams

##### TOTAL PACKAGE WEIGHT:

12000 grams

##### BOX DIMENSIONS:

14 in. W x 14 in. L x 9 in. D

##### SHELF LIFE:

5 years (left in original packaging)

##### PACKAGE TYPE:

Charges in foil bag with desiccant; inside cardboard box with cardboard spacers

#### SHIPPING:

##### CLASSIFICATION:

1.4D

##### DOT NUMBER:

EX1994050290

##### CE NUMBER:

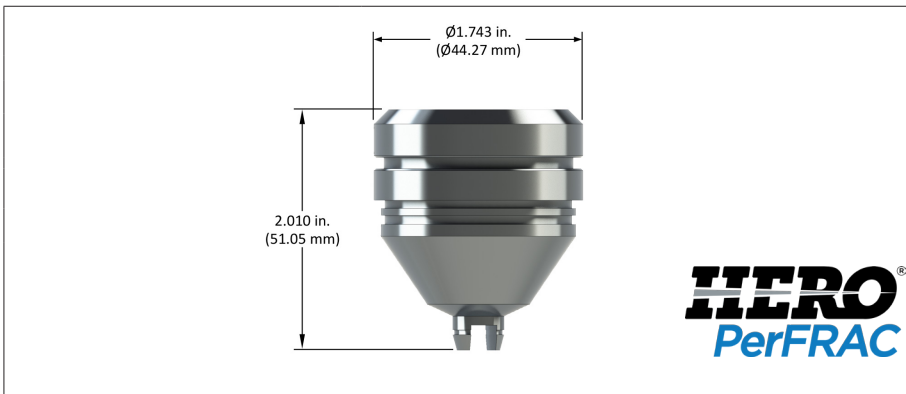
00 80.EXP.01.0032

##### UN NUMBER:

UN0440

##### PROPER SHIPPING NAME:

CHARGES, SHAPED



#### HOLE SIZE DATA:

CASING	SHOT DENSITY / PHASING	AVG. HOLE SIZE (IN.)	MIN. HOLE SIZE (IN.)	MAX. HOLE SIZE (IN.)	HOLE VARIATION (STDEV)
4.50 in. 11.6# P-110	6 spf / 60°	0.37	0.35	0.38	2.6%
4.50 in. 13.5# P-110	6 spf / 60°	0.37	0.36	0.38	2.2%
5.50 in. 17# P-110	6 spf / 60°	0.36	0.31	0.39	8.8%
5.50 in. 20# P-110	6 spf / 60°	0.35	0.30	0.38	7.7%
5.50 in. 23# P-110	6 spf / 60°	0.36	0.34	0.37	3.2%

#### PENETRATION DATA - API RP-19B SECTION 2:

FORMATION CORE TYPE	PENETRATION (IN.)	OVERBURDEN (PSI)	UCS (PSI)	POROSITY
Berea	9.63	9500	5063	20.2%
Shale	6.50	9500	19838	6.0%

#### SYSTEM TESTED:

3.125 in. 6spf 60° in 5.50 in. 23# P-110

#### DEBRIS DATA - API RP-19B SECTION 5:

Weight of debris lost at detonation 81.00 grams per linear foot  
Total weight of debris lost 209.67 grams per linear foot  
Volume of total debris lost 105.92 cm<sup>3</sup> per linear foot

#### GUN SWELL DATA - API RP-19B SECTION 6:

AIR (IN.)	FLUID (IN.)
3.38 (4 spf)	3.33 (6 spf)