



# 3.125 in. HERO® PerFRAC

## 0.42 in. EH, RDX, PFC-3121-442

### TECHNICAL INFORMATION:

#### APPLICATION:

HERO®PerFRAC charges are specifically designed to have consistent entry hole sizes, regardless of gun position, to improve the efficiency of fracturing operations in today's unconventional reservoirs.

#### SPECIFICATIONS:

##### NET EXPLOSIVE WEIGHT:

21.5 grams

##### TOTAL CHARGE WEIGHT:

238.2 grams

##### TEMPERATURE RATING:

400°F - 1 hour  
335°F - 24 hours  
310°F - 100 hours

#### PACKAGING:

##### QUANTITY PER BOX:

50

##### NET ITEM WEIGHT:

1075 grams

##### NET CHARGE WEIGHT:

11500 grams

##### TOTAL PACKAGE WEIGHT:

12000 grams

##### BOX DIMENSIONS:

14 in. W x 14 in. L x 9 in. D

##### SHELF LIFE:

5 years (left in original packaging)

##### PACKAGE TYPE:

Charges in foil bag with desiccant; inside cardboard box with cardboard spacers

#### SHIPPING:

##### CLASSIFICATION:

1.4D

##### DOT NUMBER:

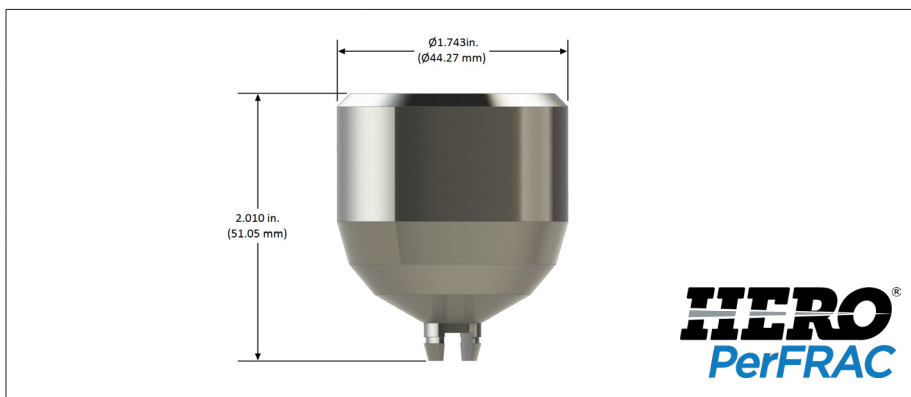
EX1994050290

##### CE NUMBER:

00 80.EXP.01.0032

##### UN NUMBER:

UN0440



#### HOLE SIZE DATA:

CASING	SHOT DENSITY / PHASING	AVG. HOLE SIZE (IN.)	MIN. HOLE SIZE (IN.)	MAX. HOLE SIZE (IN.)	HOLE VARIATION (STDEV)
4.50 in. 11.6# P-110	6 spf / 60°	0.41	0.40	0.42	1.8%
4.50 in. 13.5# P-110	6 spf / 60°	0.41	0.40	0.43	2.5%
5.50 in. 20# P-110	4 spf / 90°	0.42	0.40	0.43	3.1%
5.50 in. 20# P-110	6 spf / 60°	0.43	0.41	0.44	2.7%
5.50 in. 23# P-110	4 spf / 90°	0.43	0.41	0.43	2.4%
5.50 in. 23# P-110	6 spf / 60°	0.43	0.40	0.44	3.6%

#### PENETRATION DATA - API RP-19B SECTION 2:

FORMATION CORE TYPE	PENETRATION (IN.)	OVERBURDEN (PSI)	UCS (PSI)	POROSITY
Berea	7.50	9500	5717	20.4%
Shale	4.88	9500	19838	6.0%

#### SYSTEM TESTED:

3.125 in. 6 spf 60° in 5.50 in. 23# P-110

#### DEBRIS DATA - API RP-19B SECTION 5:

Weight of debris lost at detonation 88.00 grams per linear foot  
Total weight of debris lost 179.00 grams per linear foot  
Volume of total debris lost 80.69 cm<sup>3</sup> per linear foot

#### GUN SWELL DATA - API RP-19B SECTION 6:

AIR (IN.)	FLUID (IN.)
3.37 (4 spf)	3.32 (6 spf)