



# 3.375 in. HERO® PerFRAC

## 0.46 in. EH, RDX, PFC-3121-346

### TECHNICAL INFORMATION:

#### APPLICATION:

HERO®PerFRAC charges are specifically designed to have consistent entry hole sizes, regardless of gun position, to improve the efficiency of fracturing operations in today's unconventional reservoirs.

#### SPECIFICATIONS:

##### NET EXPLOSIVE WEIGHT:

21.5 grams

##### TOTAL CHARGE WEIGHT:

238.2 grams

##### TEMPERATURE RATING:

330°F - 1 hour  
260°F - 24 hours  
240°F - 100 hours

#### PACKAGING:

##### QUANTITY PER BOX:

50

##### NET ITEM WEIGHT:

1075 grams

##### NET CHARGE WEIGHT:

11500 grams

##### TOTAL PACKAGE WEIGHT:

12000 grams

##### BOX DIMENSIONS:

14 in. W x 14 in. L x 9 in. D

##### SHELF LIFE:

5 years (left in original packaging)

##### PACKAGE TYPE:

Charges in foil bag with desiccant; inside cardboard box with cardboard spacers

#### SHIPPING:

##### CLASSIFICATION:

1.4D

##### DOT NUMBER:

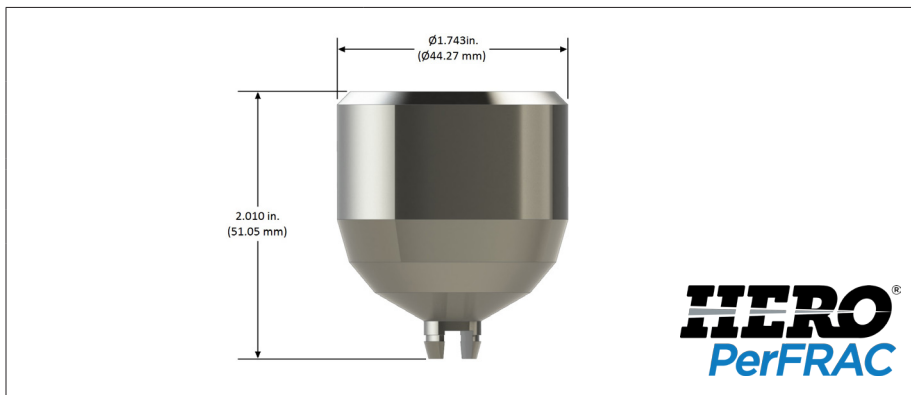
EX1994050290

##### CE NUMBER:

00 80.EXP.01.0032

##### UN NUMBER:

UN0440



#### HOLE SIZE DATA:

CASING	SHOT DENSITY / PHASING	AVG. HOLE SIZE (IN.)	MIN. HOLE SIZE (IN.)	MAX. HOLE SIZE (IN.)	HOLE VARIATION (STDEV)
5.50 in. 20# P-110	6 spf / 60°	0.46	0.43	0.49	5.5%
5.50 in. 23# P-110	6 spf / 60°	0.46	0.44	0.48	3.6%

#### PENETRATION DATA - API RP-19B SECTION 2:

FORMATION CORE TYPE	PENETRATION (IN.)	OVERBURDEN (PSI)	UCS (PSI)	POROSITY
Berea	7.97	9500	6201	20.4%
Shale	5.57	9500	19838	6.0%

#### SYSTEM TESTED:

3.375 in. 6 spf 60° in 5.50 in. 23# P-110

#### DEBRIS DATA - API RP-19B SECTION 5:

Weight of debris lost at detonation	106.33 grams per linear foot
Total weight of debris lost	200.00 grams per linear foot
Volume of total debris lost	132.17 cm <sup>3</sup> per linear foot

#### GUN SWELL DATA - API RP-19B SECTION 6:

AIR (IN.)	FLUID (IN.)
3.53 (4 spf)	3.55 (6 spf)