

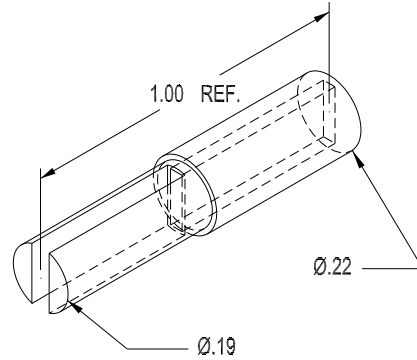
DET-0010-006

Det cord sizing adapter: 40 gr ribbon to accept 80 gr detonator/booster

Size: .22" O.D. x 1.00" long.

Temperature Rating: 400°F 1 Hour, 325°F 100 Hours

Note: 40 grain ribbon detonating cord should contact the explosive powder of the explosive transfer component. The detonating cord should not be flush with the end of the adapter.



DET-0100-018

Det cord sizing adapter: 40/60 gr round to accept 80 gr detonator/booster

Size: .22" O.D. x .5" long.

Temperature Rating: 475°F 1 Hour, 400°F 100 Hours

Note: 40/60 grain round detonating cord should contact the explosive powder of the explosive transfer component. The detonating cord should not be flush with the end of the adapter.

