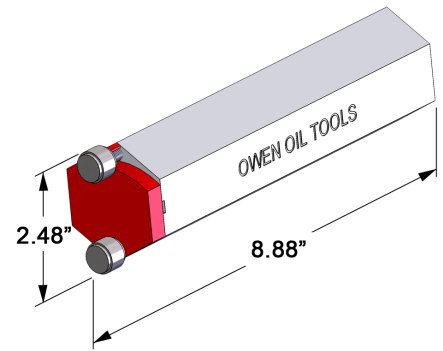


DET-2000-000

Detonator Safety Shield

This product meets the requirements of a detonator safety tube as outlined in API RP-67 Revision II, Section 3.10 and Section 5.8.

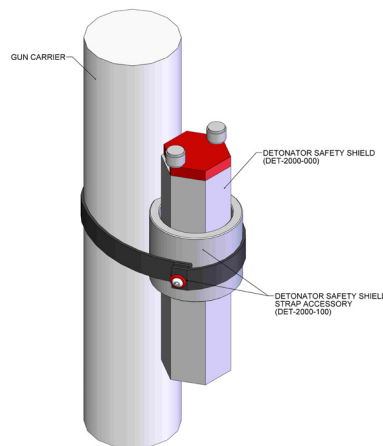
Note: This product was designed and certified for use with all Owen electric detonators.



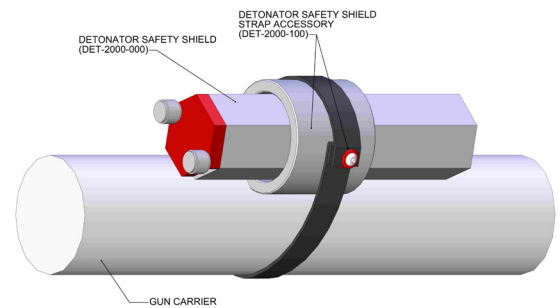
DET-2000-100

Detonator Safety Shield Strap Accessory

This product is an optional accessory to be used with the Detonator Safety Shield that will allow the Shield to be strapped to the gun carrier. This allows the user to use both hands when electrically arming the detonator inside the Detonator Safety Shield.



VERTICAL APPLICATION



HORIZONTAL APPLICATION