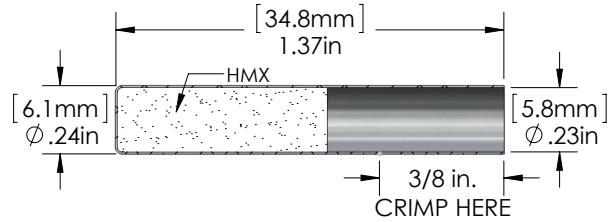


**HMX BI-DIRECTIONAL BOOSTER**

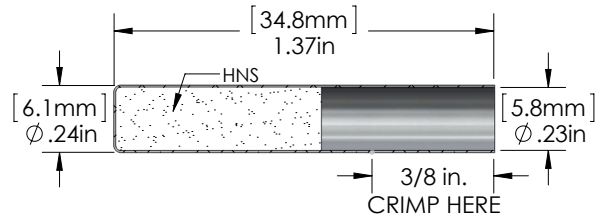
DET-3050-429  
 DET-3050-429Q (100% QC INSPECTION)  
 Base Load: 10 grains HMX  
 Temperature: 400°F 1 hour  
 300°F 100 hours



Recommended Application: TCP style gun transfers 80, 60, 40 grain cord.

**HNS BI-DIRECTIONAL BOOSTER**

DET-3050-529  
 DET-3050-529Q (100% QC INSPECTION)  
 Base Load: 9.6 grains HNS  
 Temperature: 500°F 1 hour  
 450°F 100 hours

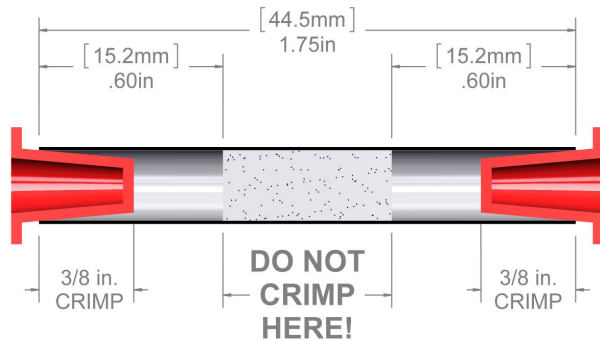


Recommended Application: High-Temp TCP style gun transfers 80 grain cord.

**DETCORD UNION (NON-AZIDE)**

DET-3050-479  
 Base Load: 10 Grains HMX  
 Temperature: 400°F/1 hour  
 310°F/100 hours

HNS Available: DET-3050-579  
 Temperature: 500°F/1 hour  
 450°F/100 hours



Recommended Application: Det Cord Union, Wireline style det cord transfer.

Consult **Responsibilities of Purchaser/User and Disclaimer of Warranties and Representations** on page 1.0 of the Detonator section prior to each purchase, use or handling of these products. Contact Owen Oil Tools at 1-817-551-0540, or 1-800-333-6936 in the United States, for addition copies.