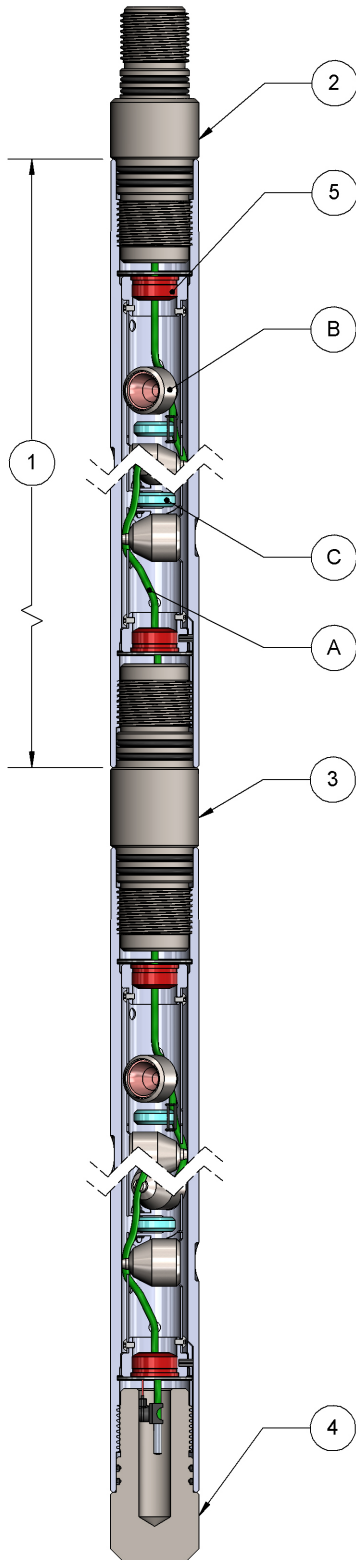


TECHNICAL INFORMATION:

2.750" Wireline Operations



ITEM	PART NUMBER	DESCRIPTION
1	S27-0545-A02AK	Ship Assy, 2-3/4" X 2', 60° (5 charges, 4 pellets)
	S27-0545-A03AK	Ship Assy, 2-3/4" X 3', 60° (10 charges, 8 pellets)
	S27-0545-A04AK	Ship Assy, 2-3/4" X 4', 60° (15 charges, 12 pellets)
	S27-0545-A07AK	Ship Assy, 2-3/4" X 7', 60° (30 charges, 24 pellets)
	S27-0545-A11AK	Ship Assy, 2-3/4" X 11', 60° (50 charges, 40 pellets)
	S27-0545-A15AK	Ship Assy, 2-3/4" X 15', 60° (70 charges, 56 pellets)
	S27-0545-A21AK	Ship Assy, 2-3/4" X 21', 60° (100 charges, 80 pellets)
2	-	Top Sub
3	-	Tandem Sub
4	-	Bull Plug
5	TAG-0100-039	End Plate Insert (2 per gun as shown)
A	A570010	Detonating Cord, 80 gr., RDX, XHV
	A571017	Detonating Cord, 80 gr., HMX, XHV
B	PFC-2717-334	Charge, 2-3/4" HERO®PerFRAC, 0.34" EH, RDX (50/box)
	PFC-2717-434	Charge, 2-3/4" HERO®PerFRAC, 0.34" EH, HMX (50/box)
C	KOD-2750-420	KODIAK Pellet 2-3/4", 400°F f/ 1 hour, 20gm (54/box)

SPECIFICATIONS:

PRESSURE RATING	172.4 MPa	25,000 psi
TEMPERATURE	Up to 204°C	Up to 400°F
TENSILE STRENGTH	93 400 daN	210,000 lbs
CARRIER THREAD	2-3/8"-6 Stub Acme	
GUN WEIGHT LOADED	12.8 kg/m	8.45 lb/ft
GUN SWELL	75.1 mm	2.96-in.