

TECHNICAL INFORMATION:

PAT-8625-005, 8.625 INCH 32 PPF



CASING O.D. (in)	8.625
CASING WT. (lb/ft)	32
CASING I.D. (in)	7.921
PATCH MAX. RUNNING O.D. (in)	7.625
PATCH I.D. AFTER SETTING (in)	6.750
PATCH DRIFT I.D. (in)	6.625
BURST HYDRAULIC RATING (psi)	4560
COLLAPSE HYDRAULIC RATING (psi)	4910

QTY.	DESCRIPTION	PART NUMBER	MATERIAL
	X-SPAN SYSTEM	PAT-8625-005	NOTED
1	PIN ELEMENT	PAT-8625-050	4140 / L80
1	BOX ELEMENT	PAT-8625-051	4140 / L80
1	TOP SWAGE	PAT-8625-054	4140 / 4142
1	BOTTOM SWAGE	PAT-8625-055	4140 / 4142
2	O-RING	OOO-V569-167	VITON
1	85K SHEAR STUD	PAT-9625-058	4140
1	10 FT. SECTION	PAT-8625-057	1018 / 1026
	5 FT. SECTION	PAT-8625-058	1018 / 1026

MINIMUM EQUIPMENT REQUIRED FOR A FULL SYSTEM CONSISTS OF ONE SHORT ASSEMBLY AND ONE SECTION.

PRODUCT OFFERINGS:

The Owen X-SPAN® System is an economical, proven, durable and dependable sealing system for the isolation of perforations, splits, corrosion or leaks in all types of tubulars and conditions. This system can utilize a multitude of deployment methods in all types of well bores. The large bore assures easy passage of service tools including bridge plugs, drop balls, seal bore assemblies, logging tools and perforating systems. The minimal surface equipment required for deploying the patch and rig less intervention results in significant savings for the operator.

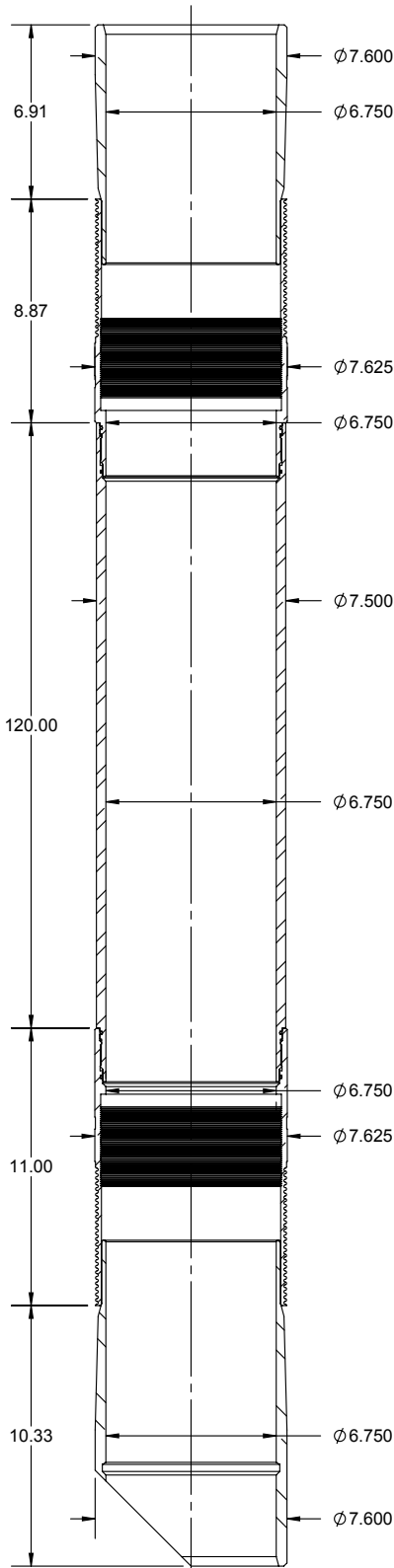
BENEFITS/CAPABILITIES:

The X-SPAN® System Offers:

- A proven, durable and dependable seal
- Deployment on electric wireline, tubing, drill pipe or coil tubing in vertical, deviated or horizontal or geothermal well bores
- An economical and reliable solution for a broad range of applications
- A large bore for easy passage of service tools
- Minimal surface equipment required for deployment

TECHNICAL INFORMATION:

PAT-8625-005, 8.625 INCH 32 PPF



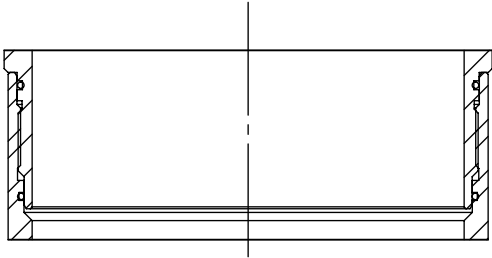
CASING O.D. (in)	8.625
CASING WT. (lb/ft)	32
CASING I.D. (in)	7.921
PATCH MAX. RUNNING O.D. (in)	7.625
PATCH I.D. AFTER SETTING (in)	6.750
PATCH DRIFT I.D. (in)	6.625
BURST HYDRAULIC RATING (psi)	4560
COLLAPSE HYDRAULIC RATING (psi)	4910

QTY.	DESCRIPTION	PART NUMBER	MATERIAL
1	PIN ELEMENT	PAT-8625-050	4140 / L80
1	BOX ELEMENT	PAT-8625-051	4140 / L80
1	TOP SWAGE	PAT-8625-054	4140 / 4142
1	BOTTOM SWAGE	PAT-8625-055	4140 / 4142
N+1	O-RING	OOO-V569-167	VITON
1	85K SHEAR STUD	PAT-9625-058	4140
1	SET SCREW 1/4 INCH X 20 TPI, 5/16 INCH	PUR-0501-030	ALLOY
N	10 FT. SECTION	PAT-8625-057	1018 / 1026
OPT	5 FT. SECTION	PAT-8625-058	1018 / 1026
1	SLEEVE NUT	SET-4500-032A	4130 / 4140
1	SLEEVE LOCK NUT	SET-4500-033	4130 / 4140
1	SETTING SLEEVE ASSEMBLY	SET-4500-080	4140 / 4142
1	QUICK CHANGE ROD	SET-3250-130	4130 / 4140
1	QUICK CHANGE NUT	SET-3250-131	4130 / 4140
1	LOCK NUT	SET-3500-025	1213 / 1215
1	TOP ADAPTER ROD	SET-3250-132	4130 / 4140
N+1	ROD TANDEM CONNECTOR	SET-3250-133	4130 / 4140
N	10 FT. ROD	SET-3250-134	4130 / 4140
OPT	5 FT. ROD	SET-3250-135	4130 / 4140
1	BOTTOM ADAPTER ROD	SET-3250-217	4130 / 4140
1	COLLET ASSEMBLY	SET-4500-137	NOTED
1	COLLET BODY	SET-4500-138	4140 / 4142
1	END SUB	SET-4500-139	4140 / 4142
1	COLLET SUPPORT	SET-3250-227A	4140 / 4142
N	ROD SUPPORT	SET-3250-239	ALUMINUM

MINIMUM EQUIPMENT REQUIRED FOR 10 FT. SYSTEM

EXTENSION SPECIFICATIONS:

PAT-8625-005, 8.625 INCH 32 PPF



PART NUMBER	LENGTH (INCHES)	OAL (INCHES)	WEIGHT (LBS.)	MATERIAL
PAT-8625-057	120	122.13	286	1018 / 1026
PAT-8625-058	60	62.13	143	1018 / 1026

PATCH TENSILE RATING	166,000 LBF.
----------------------	--------------

SYSTEM WEIGHTS:

	WEIGHT (LBS.)
PAT-8625-005	76.3
10 FT PATCH RUNNING WEIGHT	592.2
EA. ADDITIONAL 10 FT. LGTH ADD	347.5

SETTING TOOL OPTIONS:

HYDRAULIC			WEIGHT (LBS)
4-1/2 INCH HYDRAULIC	SET-4500-010		880
3-1/8 INCH HYDRAULIC	SET-3125-010		300
	SCREEN SUB	TT0798-288A	
	CIRCULATION SUB	SET-2875-010	
	DUMP SUB	OT0710-288B-000	

PYROTECHNIC			WEIGHT (LBS)
3-1/4 INCH MULTISTAGE SETTING TOOL	SET-3250-000		206
	POWER CHARGE	OPC-3250-000-MS	
	IGNITER	DET-5306-074	
		DET-5306-008	
4-1/2 INCH MULTISTAGE SETTING TOOL	SET-4500-000		700
	POWER CHARGE	JEC-0450-140	
	IGNITER	DET-5306-074	
		DET-5306-008	