



TECHNICAL INFORMATION:

PAT-9625-0470-1001, 9.625 inch 47 ppf.



CASING O.D. (in)	9.625
CASING WT. (lb/ft)	47
CASING I.D. (in)	8.681
PATCH MAX. RUNNING O.D. (in)	8.500
PATCH I.D. AFTER SETTING (in)	7.75
PATCH DRIFT I.D. (in)	7.625
BURST HYDRAULIC RATING (psi)	6200
COLLAPSE HYDRAULIC RATING (psi)	4400

QTY.	DESCRIPTION	PART NUMBER	MATERIAL
	X-SPAN SYSTEM	PAT-9625-0470-1001	NOTED
4	ELASTOMER	GTX-9625-0470-6000	HSN
1	PIN ELEMENT	PAT-9625-0470-1210	L-80
1	BOX ELEMENT	PAT-9625-0470-1410	L-80
1	TOP SWAGE	PAT-9625-0470-1110	4140
1	BOTTOM SWAGE	PAT-9625-0470-1310	4140
1	O-RING	OOO-V569-1715	VITON
1	O-RING	OOO-V569-171	VITON
1	105K SHEAR STUD	PAT-9625-072	4140
1	10 FT. SECTION	PAT-9625-0470-1010	L80
	5 FT. SECTION	PAT-9625-0470-1005	L-80

MINIMUM EQUIPMENT REQUIRED FOR A FULL SYSTEM CONSISTS OF ONE SHORT ASSEMBLY AND ONE SECTION.

PRODUCT OFFERINGS:

The Owen X-SPAN[®] System is an economical, proven, durable and dependable sealing system for the isolation of perforations, splits, corrosion or leaks in all types of tubulars and conditions. This system can utilize a multitude of deployment methods in all types of well bores. The large bore assures easy passage of service tools including bridge plugs, drop balls, seal bore assemblies, logging tools and perforating systems. The minimal surface equipment required for deploying the patch and rig less intervention results in significant savings for the operator.

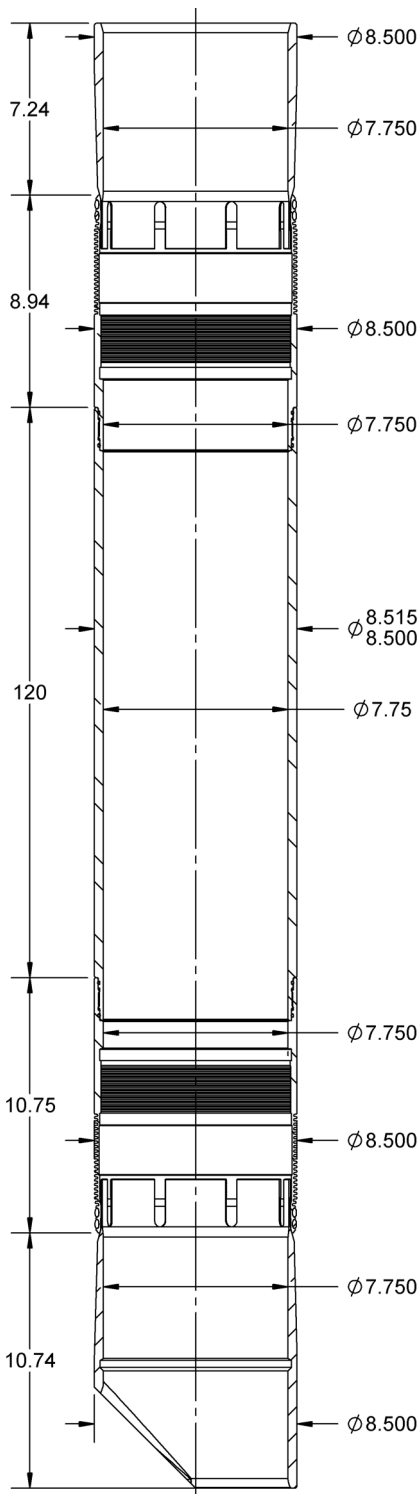
BENEFITS/CAPABILITIES:

The X-SPAN[®] System Offers:

- A proven, durable and dependable seal
- Deployment on electric wireline, tubing, drill pipe or coil tubing in vertical, deviated or horizontal or geothermal well bores
- An economical and reliable solution for a broad range of applications
- A large bore for easy passage of service tools
- Minimal surface equipment required for deployment

TECHNICAL INFORMATION:

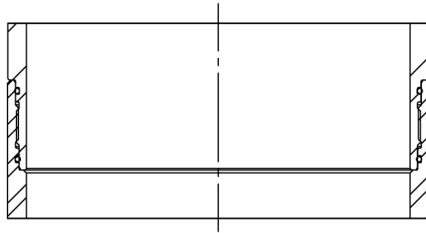
PAT-9625-0470-1001, 9.625 inch 47 ppf.



CASING O.D. (in)	9.625
CASING WT. (lb/ft)	47
CASING I.D. (in)	8.681
PATCH MAX. RUNNING O.D. (in)	8.500
PATCH I.D. AFTER SETTING (in)	7.750
PATCH DRIFT I.D. (in)	7.625
BURST HYDRAULIC RATING (psi)	6200
COLLAPSE HYDRAULIC RATING (psi)	4400

QTY.	DESCRIPTION	PART NUMBER	MATERIAL
4	ELASTOMER	GTX-9625-0470-6000	HSN
1	PIN ELEMENT	PAT-9625-0470-1210	L-80
1	BOX ELEMENT	PAT-9625-0470-1410	L-80
1	BOTTOM SWAGE	PAT-9625-0470-1310	4140
1	TOP SWAGE	PAT-9625-0470-1110	4140
N+1	O-RING	OOO-V569-171	VITON
N+1	O-RING	OOO-V569-1715	VITON
1	105K SHEAR STUD	PAT-9625-072	4140
1	SET SCREW 1/4 INCH X 20 TPI, 5/16 INCH	PUR-0501-030	ALLOY
N	10 FT. SECTION	PAT-9625-0470-1010	L80
1	SETTING SLEEVE	SET-4500-032A	4130 / 4140
1	SLEEVE LOCK NUT	SET-4500-033	4130 / 4140
1	SETTING SLEEVE ASSEMBLY	SET-4500-037	N/A
	BLANK SLEEVE	SET-4500-038	4140-4142
	SETTING SLEEVE GUIDE	SET-4500-039	4140-4142
	SLEEVE NUT	SET-4500-040	4140-4142
1	QUICK CHANGE ROD	SET-3250-130	4130/4140
1	QUICK CHANGE NUT	SET-3250-131	4130/4140
1	TOP ADAPTER ROD	SET-3250-132	4130/4140
N+1	ROD TANDEM CONNECTOR	SET-3250-133	4140/4130
N	10 FT. ROD	SET-3250-134	4140 / 4130
OPT	5 FT. ROD	SET-3250-135	4140 / 4130
1	BOTTOM ADAPTER ROD	SET-3250-217	4130 / 4140
1	COLLET ASSEMBLY	SET-3250-224	NOTED
	COLLET BODY	SET-3250-225	4140
	COLLET END SUB	SET-3250-226	4130 / 4140 / 4142
1	COLLET SUPPORT	SET-3250-227	4143 / 4140
N	ROD SUPPORT	SET-3250-228	ALUMINIUM

EXTENSION SPECIFICATIONS: PAT-9625-0470-1001, 9.625 inch 47 PPF.



PART NUMBER	LENGTH	OAL	WEIGHT	MATERIAL
PAT-9625-0470-1010	120	121.8	325	L-80
PAT-9625-0470-1005	60	61.8	162	L-80

PATCH TENSILE RATING	286,700
----------------------	---------

SYSTEM WEIGHTS

	WEIGHT (LBS.)
PAT-9625-0470-1001	75
10 FT PATCH RUNNING WEIGHT	643
EA. ADDITIONAL 10 FT. LGTH ADD	387

SETTING TOOL OPTIONS:

HYDRAULIC			WEIGHT (LBS)
4-1/2 INCH HYDRAULIC	SET-4500-010		880
	SLEEVE NUT	SET-4500-032	
3-1/8 INCH HYDRAULIC	SET-3125-010		300
	SCREEN SUB	TT0798-288A	
	CIRCULATION SUB	SET-2875-010	
	DUMP SUB	OT0710-288B-000	

PYROTECHNIC			WEIGHT (LBS)
4-1/2 INCH MULTISTAGE SETTING TOOL	SET-4500-000		700
	POWER CHARGE	JEC-0450-140	
	IGNITER	DET-5306-074	
		DET-5306-008	
	SLEEVE NUT	SET-4500-032	