



Premium Bridge Plug

Wireline Set / Drillable

TECHNICAL INFORMATION:



ADVANTAGES:

- Electric wireline set
- Sets in any grade casing - including P-110
- Tested to 10,000 psi at 275° F
- One-piece slips hardened to depth of wicker only
- Small O.D.'s for speed and safety when running
- Rocker action metal back-ups prevent rubber extrusion
- Can be set on any wireline pressure setting tool
- Casing plugs top set with shear ring
- Sets in proper sequence for positive pack-off and secure set
- Drillable cast iron construction
- For temporary or permanent service
- Designed for extra high pressure and rapid drill-out
- Plug stays set until gas pressure equalizes when drilling out

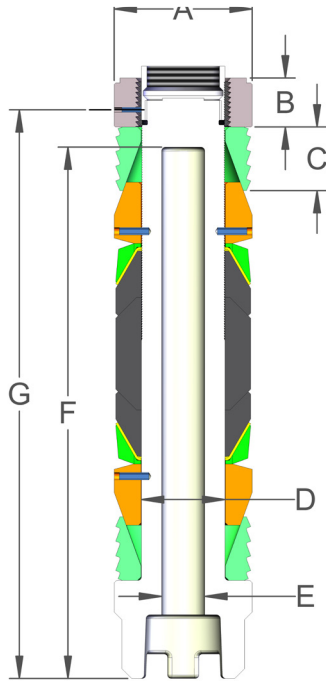
SPECIFICATIONS:

PREMIUM BRIDGE PLUGS						Go Type Setting Tools					Baker Type Setting Tools					
Casing		Bridge Plug Part No.	Plug O.D.	Setting Range		Setting Tool	Setting Force (lbs.)	Setting Sleeve	Setting Nut	Adapter Rod	Setting Tool	Setting Force (lbs.)	Setting Sleeve	Setting Nut	Adapter Rod	Lock Spring
O.D.	Wt. (T&C)			Min	Max											
2.375	3.3-5.9	PLG-1710-00*	1.71	1.867	2.107	1.687" O.D.	13,000	SET-5304-011	Not Required	Not Required	No. 05	7,000	SET-05E4-050	SET-05E4-051	Not Required	
2.875	6.4-7.9	PLG-2100-00*	2.10	2.280	2.441			SET-5304-018								
2.875	6.4-6.5	PLG-2160-00*	2.16	2.280	2.563	2.125" O.D.	20,000	SET-5306-014	Not Required	Not Required	No. 10	30,000	SET-05E4-052	SET-10E4-056	SET-5307-201	
3.5	9.2-12.9	PLG-2500-00*	2.50	2.750	2.992			SET-1687-035					SET-1687-030			SET-05E4-054
	4	5.7-10.2	PLG-2750-00*	2.75	2.867	3.258	2.125" O.D.	20,000	SET-2125-027	Not Required	Not Required	No. 10	30,000	SET-10E4-055	SET-5307-165	SET-5307-220
5.6-14		PLG-3120-00*	3.12	3.340	3.732	SET-5303-010			SET-5307-078					SET-5307-165	SET-5307-220	
4.5	9.5-15.1	PLG-3500-00*	3.5	3.826	4.090	3.625" O.D.	30,000	SET-5303-010	SET-5307-078	SET-5307-079	No. 10	30,000	SET-5307-217	SET-5307-079	SET-5307-222	
5	11.5-21	PLG-3710-00*	3.71	3.920	4.56											SET-5307-081
5.5	13-25	PLG-4240-00*	4.24	4.580	5.047	3.625" O.D.	35,000	SET-5307-081	SET-5307-088	SET-5307-088	No. 20	55,000	SET-5307-163	SET-5307-088	SET-5307-221	
5.75	22.5-25															SET-5307-082
6	14-26	PLG-4750-00*	4.75	5.140	5.595	3.625" O.D.	35,000	SET-5307-081	SET-5307-088	SET-5307-088	No. 20	55,000	SET-5307-163	SET-5307-088	SET-5307-221	
6.625	34															SET-5307-082
6	10.5-12	PLG-5340-00*	5.34	5.595	6.366	3.625" O.D.	55,000	SET-5307-082	SET-5307-088	SET-5307-088	No. 20	55,000	SET-5307-167	SET-5307-080	SET-5307-221	
6.625	17-34															SET-5307-082
7	23-40	PLG-5610-00*	5.61	5.989	6.655	3.625" O.D.	55,000	SET-5307-082	SET-5307-088	SET-5307-088	No. 20	55,000	SET-5307-167	SET-5307-080	SET-5307-221	
6.625	17-22															SET-5307-082
7	17-35	PLG-6090-00*	6.09	6.625	7.263	3.625" O.D.	30,000	SET-5303-010	Not Required	SET-5307-078	No. 10	30,000	SET-5307-165	Not Required	SET-5307-220	
6.625	17-22															SET-5307-081
6.625	24-49	PLG-6960-00*	6.96	7.511	8.248	3.625" O.D.	55,000	SET-5307-082	SET-5307-080	SET-5303-093	No. 20	55,000	SET-5307-163	SET-5307-079	SET-5307-222	
9.625	29.3-53.5															PLG-7710-00*

ECONO BRIDGE PLUGS						Go Type Setting Tools					Baker Type Setting Tools					
Casing		Bridge Plug Part No.	Plug O.D.	Setting Range		Setting Tool	Setting Force (lbs.)	Setting Sleeve	Setting Nut	Adapter Rod	Setting Tool	Setting Force (lbs.)	Setting Sleeve	Setting Nut	Adapter Rod	Lock Spring
O.D.	Wt. (T&C)			Min	Max											
4.5	9.5-16.6	PLG-3500-003	3.5	3.826	4.09	3.625" O.D.	30,000	SET-5303-010	Not Required	SET-5307-078	No. 10	30,000	SET-5307-165	Not Required	SET-5307-220	
5.5	13-25	PLG-4240-003	4.24	4.58	5.047			SET-5307-081	SET-5307-079	SET-5307-217			SET-5307-079	SET-5307-222	SET-5307-201	
5.75	22.5-25	PLG-5610-003	5.61	5.989	6.655	3.625" O.D.	55,000	SET-5307-082	SET-5307-080	SET-5303-093	No. 20	55,000	SET-5307-163	SET-5307-079	SET-5307-221	
6.625	17-22															SET-5307-082
7	17-35	PLG-6090-003	6.09	6.625	7.263	3.625" O.D.	30,000	SET-5303-010	Not Required	SET-5307-078	No. 10	30,000	SET-5307-165	Not Required	SET-5307-220	
6.625	17-22															SET-5307-081
6.625	24-49	PLG-6960-003	6.96	7.511	8.248	3.625" O.D.	55,000	SET-5307-082	SET-5307-080	SET-5303-093	No. 20	55,000	SET-5307-163	SET-5307-079	SET-5307-222	
9.625	29.3-53.5															PLG-7710-003

© 2017 - 2019 Owen Oil Tools All Rights Reserved

TECHNICAL INFORMATION:



SUGGESTED ROTARY DRILLING TECHNIQUE FOR OWEN BRIDGE PLUGS :

The following is a general guide for the most successful drill-out technique

- A. Bit - New, medium tooth, hard formation
- B. Rotary Speed - 80 rpm normal (120 rpm as required)
- C. Weight on Bit - Apply 5,000 - 7,000# until the top end of the center body of the bridge plug is drilled away (3 - 5 in. for 4-1/2" - 7" plugs and 5 - 7 in. for larger plugs). Additional weight can now be applied across the full bit diameter. The weight increase is 2,000 - 3,000# per inch of bit diameter (i.e. 4-1/2" bit use 9,000 - 13,500# weight).
- D. Drill Collars - 8 minimum for 4-1/2" and 5-1/2" plugs -12 or more for 7" and larger plugs - Spudding the workstring and variations in rotary speed and set-down weight should be used to aid in breaking up large metal parts and preventing bit "tracking".

One or more junk baskets should be used above the bit when normal circulation is employed.

DIMENSIONAL DATA (INCHES):

PREMIUM & ECONO BRIDGE PLUGS

Plug OD	Premium Part No.	Econo Part No.	DIMENSIONAL DATA (inches)						
			A	B	C	D	E	F	G
1.71	PLG-1710-001		1.71	.63	.81	1.09	N/A	N/A	7.88
2.10	PLG-2100-001		2.10	1.06	1.00	1.25	.38	7.36	9.00
2.16	PLG-2160-001		2.16	1.06	1.00	1.25	.38	7.36	9.00
2.50	PLG-2500-001		2.50	1.125	1.06	1.50	.63	10.24	12.13
2.75	PLG-2750-001		2.75	1.06	1.31	1.50	.63	10.24	12.13
3.12	PLG-3120-001		3.12	1.25	1.44	1.87	.75	10.78	13.25
3.50	PLG-3500-001	PLG-3500-003	3.50	1.25	1.63	2.12	1.10	13.56	14.81
3.71	PLG-3710-001		3.71	1.25	1.63	2.12	1.10	13.56	14.81
4.24	PLG-4240-001	PLG-4240-003	4.24	1.38	1.63	2.75	1.10	13.56	14.81
4.75	PLG-4750-001		4.75	1.38	1.94	3.00	1.34	14.95	16.03
5.34	PLG-5340-001		5.34	1.63	2.13	3.68	2.38	17.25	19.00
5.61	PLG-5610-001	PLG-5610-003	5.61	1.63	2.19	3.68	2.38	17.25	19.00
6.09	PLG-6090-001		6.09	1.63	2.38	4.12	2.00	19.07	20.75
6.96	PLG-6960-001		6.96	1.63	2.75	4.62	2.50	21.40	22.88
7.71	PLG-7710-001		7.71	1.75	2.88	5.12	3.25	21.81	24.03