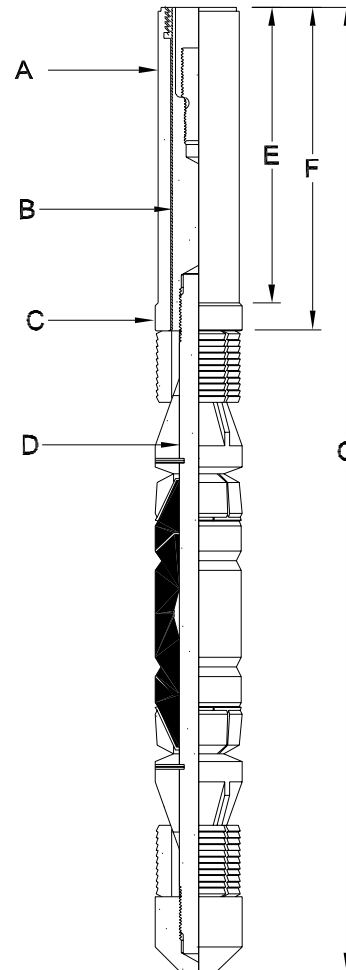


APPLICATION / OPERATION

The Owen "Magna Range" Bridge Plug is a plug specially designed to pass through restricted I.D. tubing and set securely in the larger tubing or casing I.D. below. This performance can save time and money. Because of the extreme setting range, this plug is not pressure rated nor guaranteed although it is designed to withstand differential pressure of 10,000 psi at 350° F. and has been successfully tested to such.

The Magna Range Bridge Plug has opposed, case hardened slips located above and below a three piece nitrile rubber pack-off system. The pack-off elements are contained by rocker action metal back-up rings that eliminate extrusion of the elements at high temperatures and pressures. Optional packing systems of "Viton" or "Aflas" are available on special order. A ratchet lock ring retains the setting force applied to the slips and packoff to maintain a constant sealing pressure. The one piece slips are designed to anchor securely, even in P-110 casing. They are specially heat-treated making them hard outside for gripping and softer inside for easier milling.

To assure centered setting of the small diameter plug in large I.D. pipe, special ribbed cones direct the slips to evenly spaced positions against the pipe. Should it be necessary to remove a Magna Range Plug after setting, a milling process is recommended as the plug is constructed of mild steel and is not considered drillable.



DIMENSIONAL DATA (INCHES)

Bridge Plug Size	A	B	C	D	E	F	G AFTER SET
1.500	1.40	.625	1.468	.625	.56	.88	11.88
1.750	1.70	1.093	1.750	.750	7.00	7.50	20.50
1.906	1.70	1.093	1.906	.750	7.00	7.50	21.88
2.187	2.00	1.250	2.187	.750	7.25	7.71	21.71
2.281	2.00	1.250	2.281	.750	7.25	8.00	22.56
2.500	2.50	1.250	2.500	1.25	2.56	2.56	17.25
2.750	2.75	1.250	2.750	1.25	2.56	2.56	17.25
3.000	3.00	1.250	3.000	1.25	2.63	2.63	17.25
3.250	3.25	1.500	3.250	1.50	1.68	1.68	15.88
4.062	4.06	2.750	4.062	2.50	2.78	3.53	20.84

Not all Magna Range Bridge Plugs assume this design shape.



SPECIFICATIONS

Magna Range Part No.			Plug Max. O.D.	Setting Range		Wireline Setting Tool (O.D. & Type)	Setting Equipment			Setting Force (lbs.)
Nitrile Packing	Viton Packing	Aflas Packing		Min.	Max.		Setting Sleeve	Setting Nut	Adapter Rod	
PLG-1500-001	PLG-1500-006	PLG-1500-008	1.500	1.610	1.995	* 1-1/2" Owen Shorty	SET-5302-015			8,000
PLG-1750-001	PLG-1750-006	PLG-1750-008	1.750	1.905	2.441	1-11/16" O.D. M.S.S.T.	SET-5304-011			
PLG-1900-001	PLG-1900-006	PLG-1900-008	1.906	2.156	2.765	1-11/16" O.D. Owen Shorty				
PLG-2180-001	PLG-2180-006	PLG-2180-008	2.187	2.375	3.000	1-11/16" O.D. M.S.S.T.	SET-5304-018 (1-11/16 M.S.S.T.) SET-5306-014 (2-1/8 M.S.S.T.)	Not Req'd	Not Req'd	13,000
PLG-2280-001	PLG-2280-006	PLG-2280-008	2.281	2.441	3.343	2-1/8" O.D. M.S.S.T.				
PLG-2500-101	PLG-2500-106	PLG-2500-108	2.500	2.875	3.500	2-1/8" O.D. M.S.S.T.	SET-2125-030			25,000
PLG-2750-101	PLG-2750-106	PLG-2750-108	2.750	3.187	3.920					
PLG-3000-101	PLG-3000-106	PLG-3000-108	3.000	3.437	4.154	2-1/8" O.D. M.S.S.T.	SET-2125-035 SET-3250-098			27,000
PLG-3250-101	PLG-3250-106	PLG-3250-108	3.250	3.920	4.276					
PLG-4060-101	PLG-4060-106	PLG-4060-108	4.062	4.154	5.044	3-5/8" O.D. Owen Compact	SET-5307-090	SET-5307-079	SET-5303-093	30,000

* Do not use 1-1/2" O.D. Setting Tool except where indicated above.
 Use only the setting tools listed above to set Magna Range Bridge Plugs. When two setting tool sizes are listed always use the larger O.D. tool whenever possible.
 All Magna Range Bridge Plugs should have cement placed on top before further operations are performed on the well.