

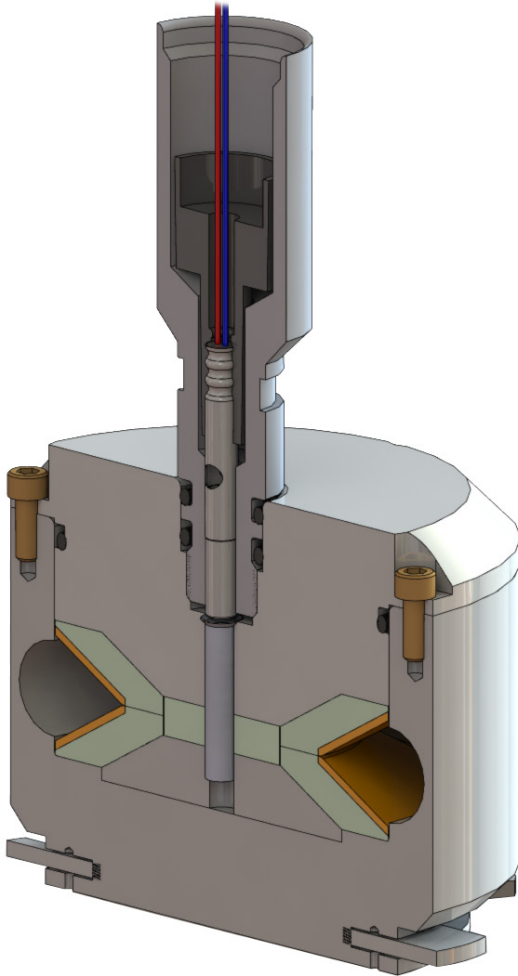
Description:

Owen's NT Segmented Casing Cutters were designed for use in Pipe Recovery Operations. The cutter is shipped disassembled for easy transportation and can be assembled for use on location.

Benefits/Capabilities:

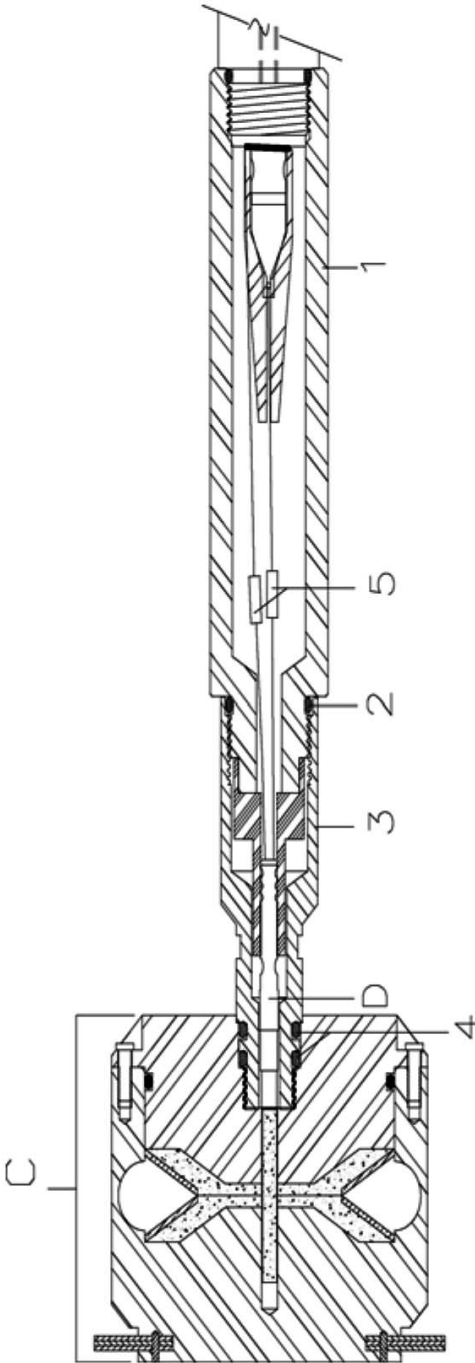
- "Air shippable" at Class 1.4S
- Conforms to API RP-67
- Cutters should be centralized and run in recommended applications to maximize effectiveness of the tool.
- United States Patent 6,505,559

Specifications:



Running Diameter	3.437"	3.625"	3.812"	4.500"
Temperature Rating (F)	400	400	400	400
Pressure Rating (PSI)	12,000	12,000	12,000	12,000
Explosive Weight (g)	82.3	82.3	82.3	125
Recommended Application	4-1/2" Drill Pipe, 16.6# - 20#	4-1/2" Casing, 9.5# - 13.5#	5" Casing, 23.2#	5-1/2" Casing, 17# - 23#

Running Diameter	4.750"	5.500"	5.750"	6.375"
Temperature Rating (F)	400	400	400	400
Pressure Rating (PSI)	12,000	12,000	12,000	12,000
Explosive Weight (g)	125	318	318	318
Recommended Application	5-1/2" Casing, 13# - 15.5#	6-5/8" Casing, 28# - 32# 7" Casing, 41#	6-5/8" Casing, 17# - 24# 7" Casing, 17# - 38# 6-5/8 Drill Pipe, 25#	7-5/8" Casing, 20# - 39#



ITEM	DESCRIPTION	PART NUMBER
1	Steel Extension Adapter	CUT-0100-087
	Aluminum Shock Sub - Open Bore	CUT-0100-079
2	O-ring, Size -214	OOO-V569-214
3	Detonator Adapter	CUT-0100-082
4	O-ring, Size -208	OOO-V569-208
5	Splice Boot	PUR-0210-001
D	Tubing Cutter Detonator	DET-3050-009L or DET-3050-409
C	3.437" NT Casing Cutter	CUT-3437-062NT
	3.625" NT Casing Cutter	CUT-3625-062NT
	3.812" NT Casing Cutter	CUT-3812-062NT
	4.500" NT Casing Cutter	CUT-4500-062NT
	4.750" NT Casing Cutter	CUT-4750-062NT
	5.500" NT Casing Cutter	CUT-5500-062NT
	5.750" NT Casing Cutter	CUT-5750-062NT
	6.375" NT Casing Cutter	CUT-6375-062NT

- Items 1, 2, 5 and detonator must be ordered separately from cutter assembly.
- Items 3 and 4 are included with the assembly.
- HNS Cutters are available by special order for operating temperatures up to 475°F. Parts should be ordered by replacing the 062NT with 063NT, ie. CUT-XXXX-063NT.
- Alternate arming assembly available, using JRC style extension adapter with button contacts, CUT-0100-078 and detonator with spring contacts, DET-3050-009E.
- Alternate arming assembly available using 3/4" pipe, CUT-0100-109 and cutter adapter detonator, DET-3052-301, (Items 2, 3, & 4 not required).

NOTE: *NT Segmented Casing Cutters can be run using Safe Detonator Systems or Owen's RF-Safe Green DET™ with rubber retainer/boot.. Please Reference Safe Ignition Systems Section of Owen Catalog.*

WARNING

Use of Owen equipment contrary to manufacturer's specifications may result in property damage, serious injury or fatality. If you are not trained in the handling and use of explosive devices, do not attempt to assemble any Owen Perforating Systems or Owen Firing Devices.

For Technical Assistance, Please Contact:
Owen Oil Tools
12001 County Road 1000, Godley, TX. 76044
Tel: (817) 551-0540 Fax: (817) 551-0795
<http://www.corelab.com/owen>