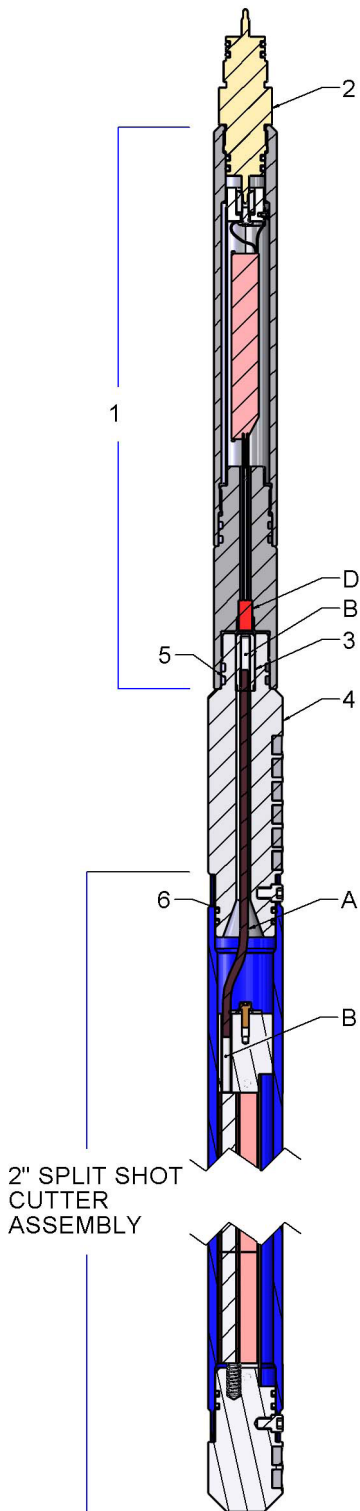


Introduction

The ADP-PX16-150, Safe Fire PX-1 Initiation System utilize Exploding Bridgewire technology to increase safety during firing operations.

Incorporation of the EBW into the Firing Systems adds increased safety against rig-site hazards such as R-F transmitters, cathodic protection, and stray voltages. The PX-1 EBW fireset allows normal oilfield operation to continue while perforating and other completion services are being performed.

All safety rules and regulations should be strictly followed when storing, handling, assembling, and using these tools and/or detonators. Safety precautions should be taken in accordance with your company's safety policies, governmental regulations, and the American Petroleum Institute Recommended Practice 67 (API RP-67).



ITEM	PART NO.	DESCRIPTION
1	ADP-PX16-150	ASSEMBLY, PX-1 FIRING SYSTEM FOR SMALL TAG, BOLTED GUNS, AND CUTTERS
2	AES-8079	INTERNAL SEALED CONTACT SUB
3	TCP-0100-247	BOOSTER SUPPORT
4	EFI-SS20-100	TOP SUB
5	OOO-V569-215	O-RINGS - VITON, -215
6	OOO-V569-220	O-RINGS - VITON, -220
A	A580010	DETONING CORD, 80 GR RDX
	A571010	DETONING CORD, 80 GR HMX
B	DET-3050-429	BI DIRECTIONAL BOOSTER
D	EBW-RISI-800	EBW, RDX DETONATOR
	2-300180-3	EBW, CP DETONATOR