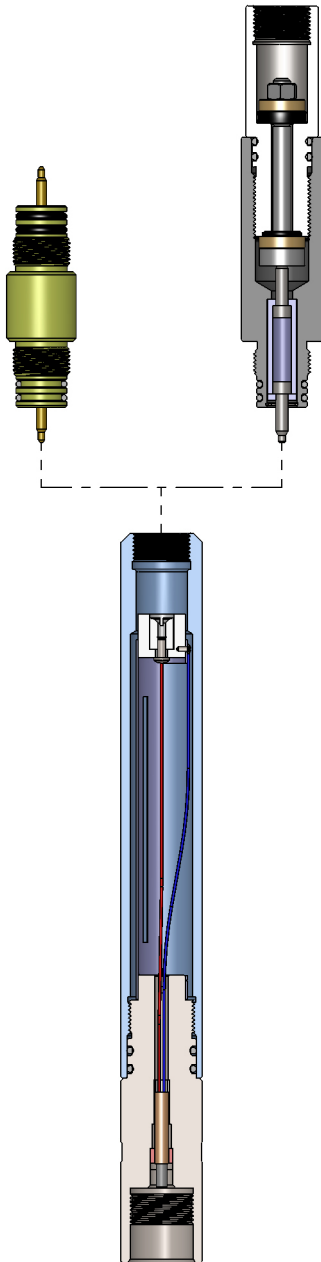


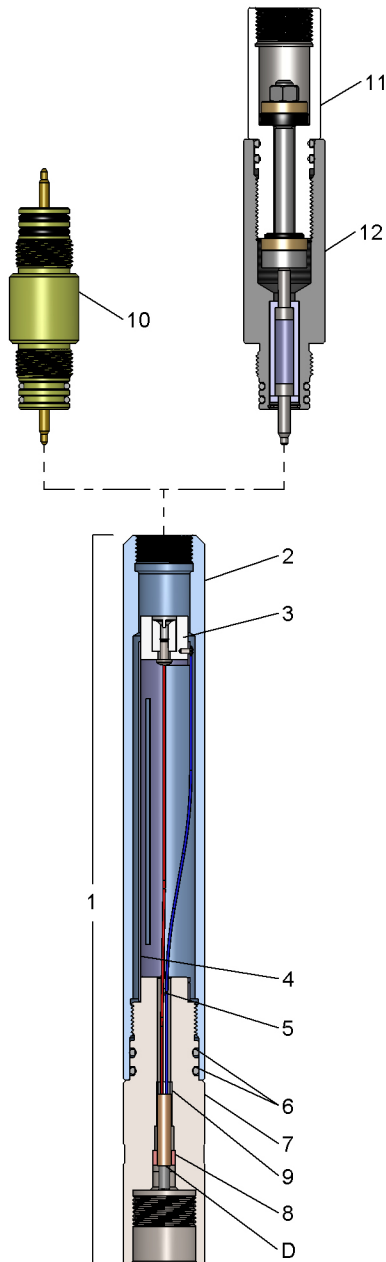
INTRODUCTION

The ADP-PX16-155 is a Safe Fire Initiation System that utilizes the Green Det™ to initiate RTG Gun Systems and small TAG Gun Systems. This system is an improvement over the standard ADP-PX16-100 RTG/Cut PX1 Firing System in that it utilizes a sealed system to ensure high pressure wellbore fluids do not migrate into wireline string.

Incorporation of the Green Det™ detonator into the Firing Systems adds increased safety against rig-site hazards such as RF transmitter, cathodic protection, and stray voltages. The Green Det™ allows normal oilfield operation to continue while perforating and other completion services are being performed.

All safety rules and regulations should be strictly followed when storing, handling, assembling, and using these tools and /or detonators. Safety precautions should be taken in accordance with your company's safety policies, governmental regulations, and the American Petroleum Institute Recommended Practice 67 (API RP-67)





ITEM	PART NO.	DESCRIPTION
1	ADP-PX16-155	Assembly, Small TAG and Bolted Guns, Green Det™ Firing System
2	ADP-PX16-102	Top Housing
3	ADP-PX16-107	Contact Assembly
4	SEV-1375-250	Carriage, PX1 Fireset
5	PUR-0509-040	6-32 x 1/4 Pan Head Screw - 2 Required
6	OOO-V569-217	O-Ring, Viton - 2 Required
7	ADP-PX16-119	Detonator Housing
8	TC-001-0003-000	Rubber Grommet
9	PUR-3100-009	Teflon Tubing, 5/16" OD x 1/4" ID x 1/4" Lg.
*10	AES-8079	Internal Sealed Contact Sub (Sold Separately)
11	AES-AS80005	1-1/2" HP Firing Head (Sold Separately)
12	ADP-PX16-245	Sub Assembly, Double Contact, 1-11/16" OD (Sold Separately)
D	2-300750-1	GreenDET™ (Sold Separately)
	ADP-PX16-152	Redress Kit for Green Det™. Includes Items 3, 4, 5, 6, 8, 9
**	TAG-2750-281X	2-3/4" TAG Crossover Sub
	TAG-2875-280X	2-7/8" TAG Crossover Sub

*Item 10 can be interchanged with Items 11 & 12 to provide a sealed contact at the top of the assembly

** In order to use the ADP-PX16-155 Firing System with 2-3/4" and 2-7/8" TAG Systems, the appropriate TAG Crossover Sub (Item **) needs to be used between the TAG Top Gun and the Detonator Housing (Item 7).

Reference Manual: MAN-PX1-013

To use this system with the PX1 Fireset see the catalog page for ADP-PX16-150 or MAN-PX1-007



Note: When using the Green Det detonator, the red wire should be electrically connected with red wire to hot lead and blue wire to ground.