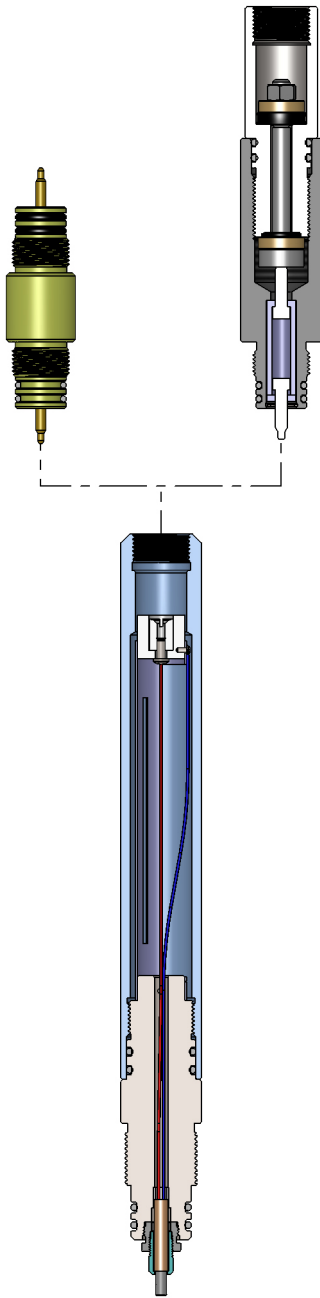


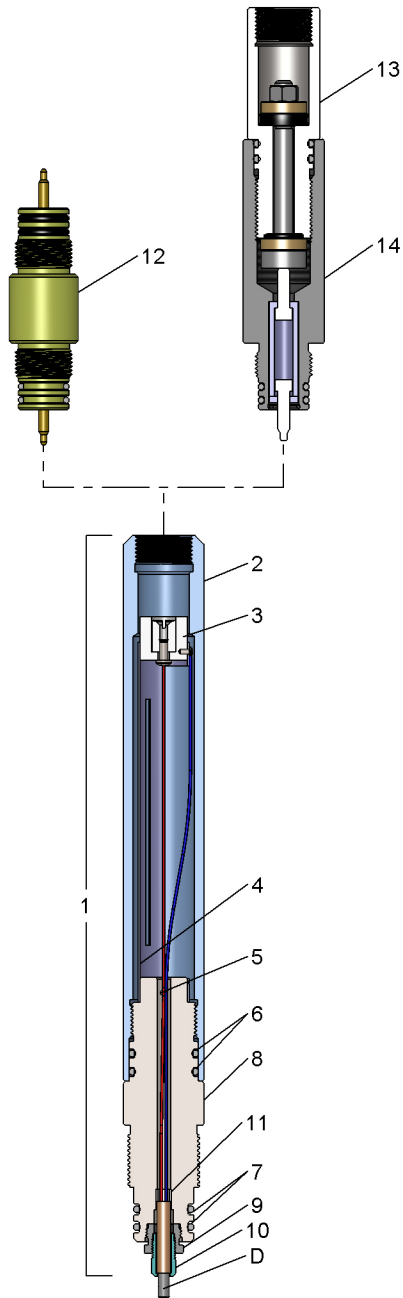
## INTRODUCTION

The ADP-PX16-165 is a Safe Fire Initiation System that utilizes Green Det™ to initiate RTG Gun Systems and small TAG Gun Systems with Owen Det Bodies. This system utilizes a sealed system to ensure high pressure wellbore fluids do not migrate into wireline string.

Incorporation of the Green Det™ into the Firing Systems adds increased safety against rig-site hazards such as RF transmitter, cathodic protection, and stray voltages. The Green Det™ allows normal oilfield operation to continue while perforating and other completion services are being performed.

All safety rules and regulations should be strictly followed when storing, handling, assembling, and using these tools and /or detonators. Safety precautions should be taken in accordance with your company's safety policies, governmental regulations, and the American Petroleum Institute Recommended Practice 67 (API RP-67)





ITEM	PART NO.	DESCRIPTION
1	ADP-PX16-165	Assembly, Owen Det Bodies, Green Det™ Firing System
2	ADP-PX16-102	Top Housing
3	ADP-PX16-107	Contact Assembly
4	SEV-1375-250	Carriage, PX1 Fireset
5	PUR-0509-040	6-32 x 1/4 Pan Head Screw - 2 Required
6	OOO-V569-217	O-Ring, Viton - 2 Required
7	OOO-V569-214	O-Ring, Viton - 2 Required
8	TC-010-0001-PX1	Detonator Housing
9	TC-010-0002-PX1	Detonator Housing Nose
10	TCP-0100-247GD	Detonator Holder
11	PUR-3100-009	Teflon Tubing, 5/16" OD x 1/4" ID x 1/4" Lg
*12	AES-8079	Internal Sealed Contact Sub
13	AES-A580005	1-1/2" HP Firing Head (Sold Separately)
14	ADP-PX16-245	Sub Assembly, Double Contact, 1-11/16" OD (Sold Separately)
D	2-300750-1	Green DEet™ (Sold Separately)
	ADX-PX16-162	Redress Kit for EBW - RDX Detonator, Includes Items 3, 4, 5, 6, 7, 9, 10, 11

\*Item 12 can be interchanged with Items 13 & 14 to provide a sealed contact at the top of the assembly.

**Reference Manual: MAN-PX1-014**

To use this system with the PX-1 Fireset see the catalog page for ADP-PX16-160 or MAN-PX1-012



**Note:** When using the Green Det detonator, the red wire should be electrically connected with red wire to hot lead and blue wire to ground.