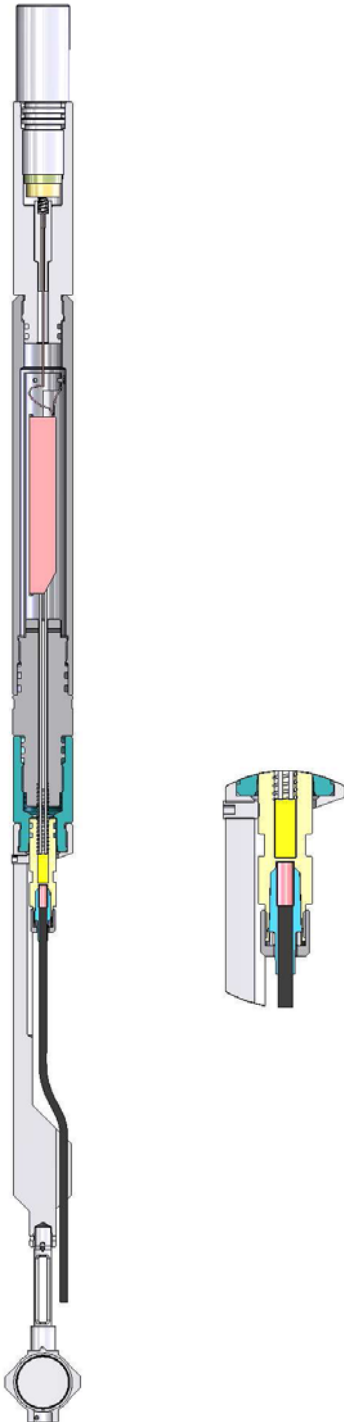


INTRODUCTION

The ADP-PX16-232, Safe Fire PX-1 Initiation System utilize Exploding Bridgewire technology to increase safety during firing operations.

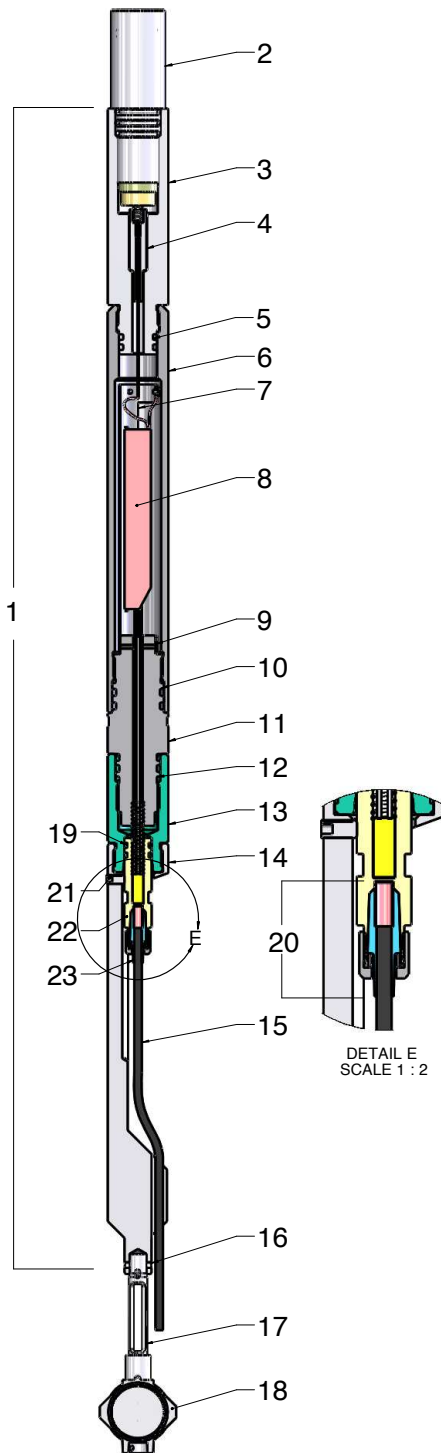
Incorporation of the EBW into the Firing Systems adds increased safety against rig-site hazards such as R-F transmitters, cathodic protection, and stray voltages. The PX-1 EBW fireset allows normal oilfield operation to continue while perforating and other completion services are being performed.

All safety rules and regulations should be strictly followed when storing, handling, assembling, and using these tools and/or detonators. Safety precautions should be taken in accordance with your company's safety policies, governmental regulations, and the American Petroleum Institute Recommended Practice 67 (API RP-67).



SPECIFICATIONS

PRESSURE RATING	15000 psi	103.4 Mpa
THREAD CONNECTION, TOP	1-3/16 - 12 UN	
TOOL DIAMETER	1.69 in	42.9 mm
TEMPERATURE RATING	330 F DEG	165.5 C DEG
LENGTH	32.4 in	82.3 cm



ITEM	PART NO.	DESCRIPTION
1	ADP-PX16-232	Assembly. Exposed Initiation PX-1 Firing System for Link Operations
2	AES-AS80005	1-1/2in. HP Firing Head (sold separately)
3	ADP-PX16-214	Contact Body
4	HSC-0100-011	Spring Contact Assembly
5	OOO-V569-211	O-Ring, Viton #211 - 2 Required
6	ADP-PX16-102	Top Housing
7	SEV-1375-250	Carriage, PX-1
8	PUR-0610-008	PX-1 Fireset with Wire Outputs
9	PUR-0509-040	6-32 x 1/4 Pan Head Screw - 2 Required
10	OOO-V569-217	O-Ring, Viton #217 - 2 Required
11	ADP-PX16-231	Detonating Housing
12	OOO-V569-214	O-Ring, Viton #214 - 2 Required
13	ADP-PX16-224A	Firing Adapter
14	ADP-PX16-224L	Firing Head Extension for Link
15	Ref Cord Chart	Detonating Cord (sold separately)
16	PUR-0506-052	Cotter Pin, 1/8" x 1-1/4"
17	Ref Link Pages	Link Spacer, 3" long
18		Link Charges
19	OOO-V569-113	O-Ring, Viton #113 - 2 Required
20	ADP-PX16-235	Ecosse Sealing Kit
21	PUR-0504-026	0.25 - 20 x 0.50 Set Screw
22	ADP-PX16-225	Booster Holder
23	PUR-6000-005	Seizing Cord (sold separately)
-	ADP-PX16-233	Redress Kit, includes items: 4, 5, 7, 8, 9, 10, 12, 19, 20, 21, 22
D	EBW-RISI-800	EBW - RDX Detonator (sold separately)
	2-300180-3	EBW - CP Detonator (sold separately)



Note: To fire DC (+); connect the white/black wire to ground and connect the red wire to hot. REFERENCE MANUAL: MAN-PX1-010