

## INTRODUCTION

The ADP-PX16-252, Safe Fire Green Det™ System utilizes Reactive Semiconductor Bridge (RSCB) technology to increase safety during firing operations.

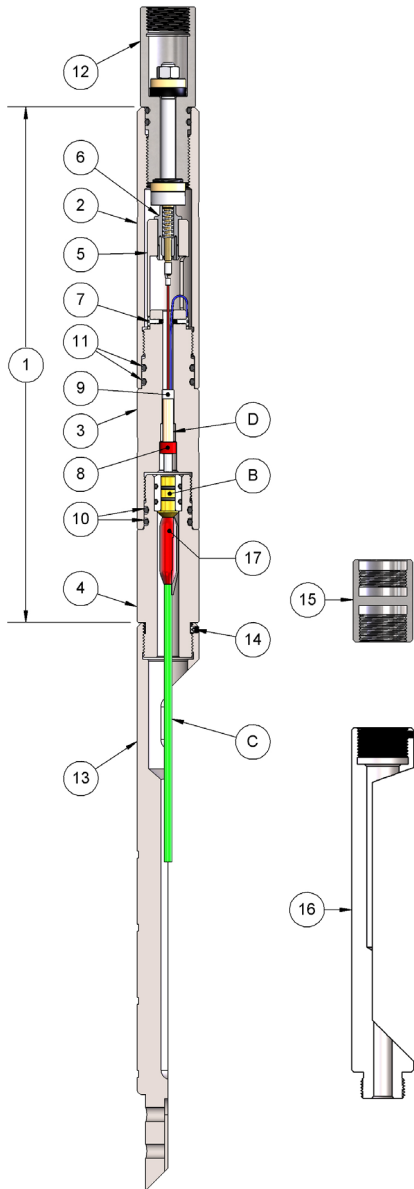
Incorporation of the RSCB into the Firing Systems adds increased safety against rig-site hazards such as R-F transmitters, cathodic protection, and stray voltages. The Green Det™ allows normal oilfield operation to continue while perforating and other completion services are being performed.

All safety rules and regulations should be strictly followed when storing, handling, assembling, and using these tools and/or detonators. Safety precautions should be taken in accordance with your company's safety policies, governmental regulations, and the American Petroleum Institute Recommended Practice 67 (API RP-67).

## SPECIFICATIONS

PRESSURE RATING	15,000 psi	103.4 MPa
THREAD CONNECTION, TOP	1-3/16" – 12 UN	
TOOL DIAMETER	1.69 in	43 mm
TEMPERATURE RATING	375°F	190°C
LENGTH	15.0 in	38.1 cm

**Note:** This system is for fluid only and is not qualified for gas environments



ITEM	PART NO.	DESCRIPTION
1	ADP-PX16-252	Assembly, Exposed Initiation Green Det™ Firing System (includes items: 2-11)
2	ADP-PX16-124	Top Housing
3	ADP-PX16-119	Detonator Housing
4	ADP-PX16-700	Detonator Firing Sub
5	ADP-PX16-125	ZRO Contact Holder
6	ZRO-0000-035	Switch Contact Assembly
7	PUR-0509-040	Pan Head Screw, #10-32 X 1/4" Lg.
8	TC-001-0003-000	Rubber Tubing, Hi-Temp
9	PUR-3100-009	Teflon Tubing, 5/16" OD X 1/4" ID X 1/4" Lg.
10	OOO-V569-215	O-Ring, Viton #215
11	OOO-V569-217	O-Ring, Viton #217
12	AES-AS80005	1-1/2" HP Firing Head (Sold Separately)
13	ADP-PX16-284	Firing Head Extension for 1-11/16" Shogun Systems (Sold Separately)
14	PUR-0504-017	Locking Set Screw, #10-32x1/8" Lg. (Sold Separately)
15	ADP-PX16-705	Loading Cap, EFI Booster Tool (Sold Separately)
16	ADP-PX16-224C	Firing Head Extension for Stim Gun, Shogun & String Shot (Sold Separately)
17	PUR-6100-006	Temp Tape (Sold Separately)
17	PUR-6100-011	Mocap Tape (Sold Separately)
B	EFI -1000-005	EFI Booster Assembly (Sold Separately)
C	Ref. Cord Chart	Detonating Cord Rated for Exposed Applications(Sold Separately)
D	2-300750-1	SCB - Green Det™
*	ADP-PX16-253	Redress Kit (Includes Items: 4, 6-11)
*	TAG-1687-078	Bull Plug / Blast Plug

### EFI-1000-005 - EFI BOOSTER ASSEMBLY O-RINGS

ITEM	PART NO.	DESCRIPTION
18	OOO-V569-113	O-Ring, Viton #113
19	OOO-V569-010	O-Ring, Viton #010

