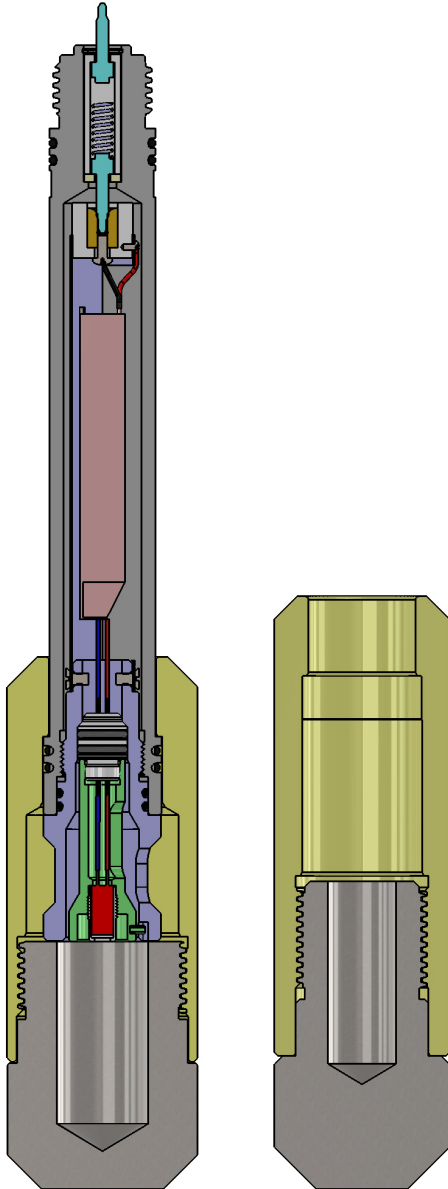


INTRODUCTION

The ADP-PX28-102, Safe Fire PX-1 Initiation System utilize Exploding Bridgewire Technology to increase safety during firing operations.

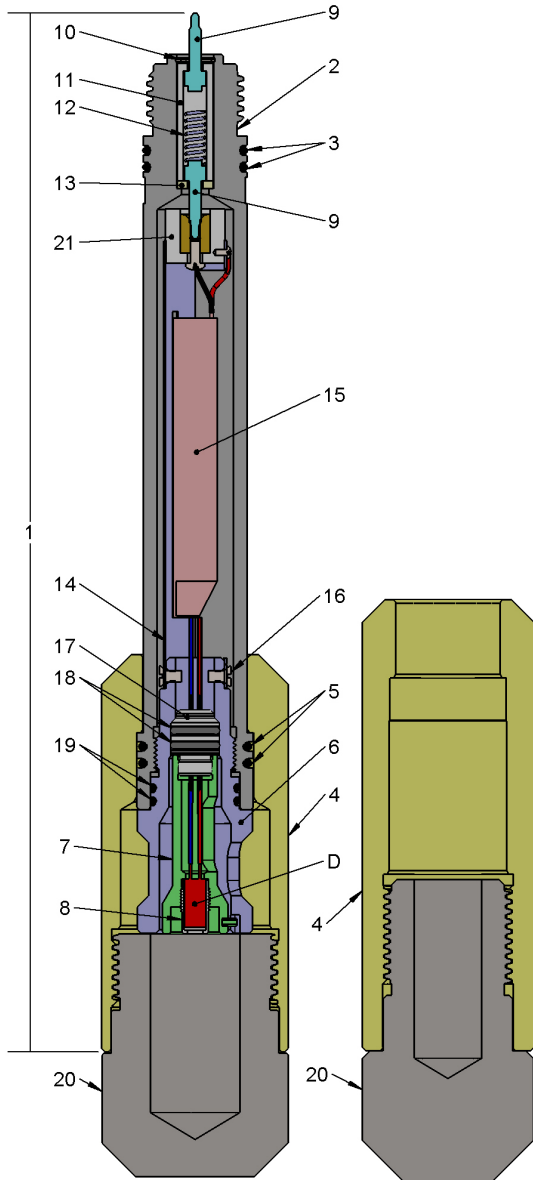
Incorporation of the EBW into the Firing Systems adds increased safety against rig-site hazards such as RF transmitters, cathodic protection, and stray voltages. The PX-1 fireset allows normal oilfield operation to continue while perforating and other completion services are being performed.

All safety rules and regulations should be strictly followed when storing, handling, assembling, and using these tools and/or detonators. Safety precautions should be taken in accordance with your company’s safety policies, governmental regulations, and the American Petroleum Institute Recommended Practice 67 (API RP-67).



SPECIFICATIONS

PRESSURE RATING	30,000 psi	206.8 Mpa
TENSILE STRENGTH	105,000 lbf	46,706 daN
THREAD CONNECTION, TOP	1.625-6 ACME	
THREAD CONNECTION, BOTTOM	2.125-6 ACME (2.88 SLEEVE) 2.750-6 ACME (3.13 SLEEVE)	
SLEEVE DIAMETER	2.88 in 3.13 in	43.1 mm 79.5 mm
TEMPERATURE RATING	450 DEG F	232 DEG C
LENGTH	18.0 in	45.7 cm



ITEM	PART NO.	DESCRIPTION
1	ADP-PX28-102	Assembly, TAG/HSC/SETTING TOOL, PX-1 Firing System
2	ADP-2875-600	Body, 1-5/8 - 6 Acme Thread
3	OOO-V569-222	O-Ring, 2 Required
4	ADP-2875-221 ADP-3130-221	Sleeve, 2.88 Dia. Sleeve, 3.13 Dia.
5	OOO-V569-223	O-Ring, 2 Required
6	ADP-2875-220	Firing Sub
7	ADP-PX16-116P	Detonator Retainer
8	ADP-PX28-SQ80	Detonator Holder
9	AES-1-0033	Contact Pin, 2 Required
10	PUR-5000-062	Retaining Ring
11	ADP-1437-076	Insulator
12	SPG-0362-042	Spring - 1.63" Long
13	ADP-1437-077	Insulator Washer
14	SEV-1375-250	PX-1 Carriage
15	PUR-0610-008	PX-1 Fireset with Wire Outputs
16	PF-031-019F-038 PUR-0611-001	Flat Head Screw, 2 Required Connector, Spade, .25", 1 Required
17	ADP-PX16-120	Detonator Seal Nut
18	OOO-V569-114	O-Ring, 2 Required
19	OOO-V569-125	O-Ring, 2 Required
20	ADP-2875-078 ADP-3125-078	2.88 Safety Plug 3.13 Safety Plug
21	ADP-PX16-107	Contact Assembly
D	EBW-RISI-800 2-300180-3 EBW-RISI-BK80	EBW - RDX Detonator EBW - CP Detonator EBW - Ignitor
	ADP-PX28-112	Redress Kit, includes items: 3, 5, 7, 8, 14, 15, 16, 17, 18, and 19

REF MANUAL: MAN-PX1-009