

DESCRIPTION

The Mechanical Safety Impact Firing Head is designed to be the primary firing system on all Wide Nose Drop Bar TCP operations. Designed to meet API RP-67 safety recommendations, the Mechanical Safety Impact Firing Heads require both the drop bar action as well as a minimum hydrostatic to fire. Two models are utilized to cover the pressure ranges normally anticipated in TCP operations.

The High Pressure (H.P.) version requires 2,000 psi (all-fire) to operate. When the Wide Nose Drop Bar strikes the firing head, the impact breaks the shear pin, which secures the Release rod and pushes it down. This movement releases the firing pin driving it into the percussion detonator and fires the guns.

This Firing Head must be run in conjunction with an Impact Firing Head No-Go or a Tubular Collar No-Go to meet safety requirements. Refer to catalog page TC-170-0.3 for details. The standard version MSIFH is the TC-012-1687-200 and the “Slim” version, TC-012-1500-200 can be special ordered.

FEATURES AND BENEFITS

- Electrical currents, natural or man-made cannot detonate the Safety Impact Firing Heads.
- Ideal for all Wide Nose Drop Bar Firing operations where a min. of 2,000 psi hydrostatic exists.
- Ideal for heavy mud, deviated wells and High Pressure Wells
- Operates with Wide Nose Drop Bar or Roller Drop Bar.

SPECIFICATIONS

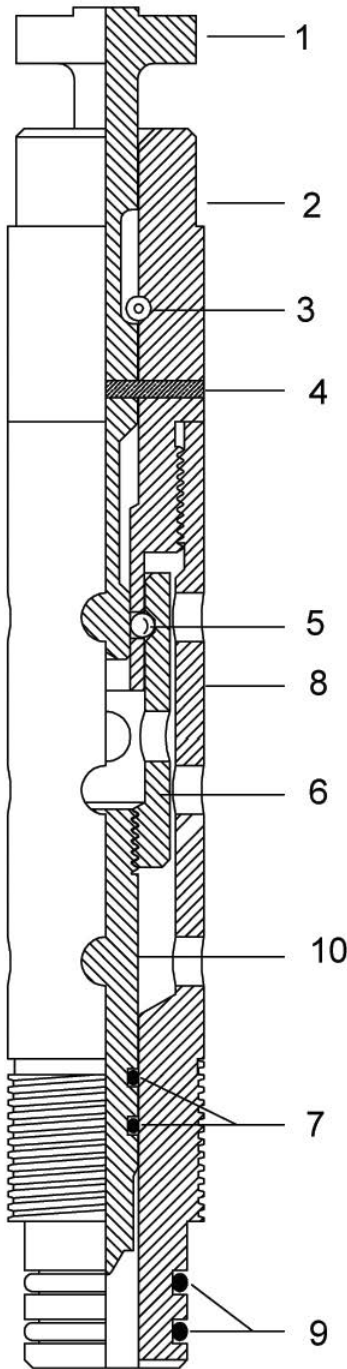
SPECIAL ORDER O.D.	1.50 IN	38 MM
STANDARD O. D.	1.69 IN	43 MM
Make-Up Length	8.00 in	203 mm
Max. Temperature ¹	250°F	121°C
Max. Hydrostatic	20,000 psi	137.9 MPa
Min. Hydrostatic	2,000 psi	13.8 MPa

¹The maximum temperature can be increased to 450° (230°C) by substituting the 90 durometer Nitrile O-Rings with 90 durometer Viton O-Rings. Refer to the Time vs Temperature chart for Explosives to confirm any explosives requirements.

²The maximum pressure is determined by the maximum allowable pressure differential of Initiator after detonation.

Note: this tool should be used with Wide Nose Drop Bars.

BOM and Schematic

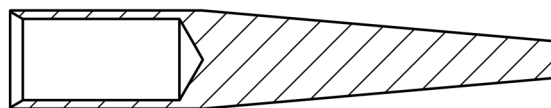


ITEM	PART NUMBER	QTY	DESCRIPTION
--	TC-012-1687-200	--	Mechanical Safaety Impact FH (HP) Heavy Duty
1	TC-012-0001-000	1	Release Rod, S.I.
2	TC-012-0002-000	1	Release Rod Body, S.I.
3*	PF-130-0188-125	1	Roll Pin
4*	PF-120-0188-150H	1	Spirol® Coiled Pin
5*	ST-040-0188-000	4	Retaining Balls
6	TC-012-0004-200	1	Ball Retainer (HP), S.I.
7*	OOO-N569-109	2	O-Ring
8	TC-012-0007-200	1	Body (HP), Heavy Duty S.I.
9*	OOO-N569-214	2	O-Ring
10*	TC-012-0005-000	1	Firing Pin, CP Detonator
--	TC-012-1500-299P	--	Redress Kit, Safety Impact Firing Head (HP)
--	TC-012-1500-699P	--	Redress Kit, Safety Impact Firing Head (HP), HT
--	MAN-TC-012-1500-200	--	Asembly Manual

* Denotes items in the Redress Kits

ITEM	PART NUMBER	QTY	DESCRIPTION
--	TC-012-1500-200**	--	Mechanical Safaety Impact FH (HP) Slim Version
1	TC-012-0007-000	1	Body (HP), S.I.

** Special Order



TC-022-0011-000 - O-RING INSTALLATION TOOL (SOLD SEPARATELY)