

Description

The Wireline Set/Retrievable Firing Head is designed to increase perforating safety by means of having the primary firing system removed from the TCP string while running Perforating Guns into a well. This is accomplished by utilizing a Landing Assembly that is fixed into the top of the Perforating Guns in the TCP string and a Firing Head that is set in place with Wireline or Slickline after the Perforating Guns are set on depth. The Firing Head houses the primary explosive required to detonate the Perforating Guns, making the TCP string protected from accidental detonation.

Features and Benefits

- This system is designed for use with the Mechanical Impact, Mechanical Safety Impact Firing Heads and Wide Nose Drop Bar. It is also designed for use with the Pressure Activated Firing Head.
- Provides an economical means of setting and retrieving a Firing Head within the TCP string.
- Ensures that accidental detonation cannot happen while running or removing the TCP string from a well.
- Provides a double check with Wireline that the Perforating Guns are on depth while setting the Firing Head, resulting in minimized possibility of shooting off depth.
- In case of a misrun, the Firing Head can be retrieved and inspected without pulling the entire TCP string.
- At least one full tubing joint filled with fluid on top of the Firing Head is recommended for optimum drop bar impact.

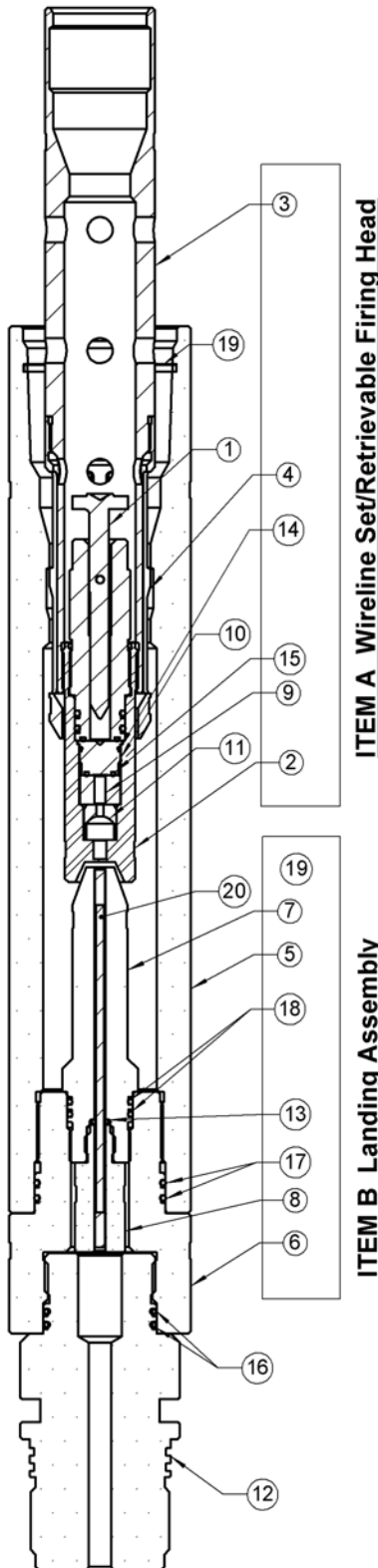
Specifications

	Wireline Set/Retrievable Firing Head		3-1/2 in Landing Assembly	
Maximum OD	2.729 in	69.3 mm	4.500 in	114.3 mm
Minimum ID	1.50 in	38.1 mm	2.510 in	63.8 mm
Overall Length	21.69 in	551 mm	25.000 in	635.0 mm
Max Tensile	N/A	N/A	163,200 lb	72 600 daN
Max Hydrostatic ² (Annulus)	N/A	N/A	21,140 psi	145,750 kPa
Max Hydrostatic ² (Inside Tubing)	16,750 psi	115,450 kPa	16,750 psi	115,450 kPa
Max Temp ¹	250°F (121°C)			
Top Connection	3.000 in Internal Fish Neck		3-1/2 in (88.9 mm) EU Box	
Bottom Connection	N/A		2.750 - 6 TPI Acme Box	
Product Number	TC-014-3500-000		TC-014-3500-300	
Redress Kit	TC-014-3500-099			

²The maximum temperature can be increased to 450°(230°C) by substituting the 90 durometer Nitrile O-rings with 90 durometer Viton O-rings.

Refer to the Time vs Temperature chart for Explosives to confirm any explosives requirements

³Maximum pressure is also determined by the Firing Head used



Item	Part Number	Qty	Description
A	TC-014-3500-000	--	Wireline Set / Retrievable Firing Head
2	TC-014-0000-000	1	Initiator Housing
3	TC-014-0001-000	1	Fish Neck
4	TC-014-0002-000	1	Collet
9	TC-014-0007-000	1	Spacer
14	OOO-N569-020	1	O-Ring 90 Durometer Nitrile
15	OOO-N569-113	1	O-Ring 90 Durometer Nitrile
--	TC-014-3500-099	--	Redress Kit
--	MAN-TC-014	--	Assembly Manual

Item	Part Number	Qty	Description
B	TC-014-3500-300	--	Landing Assembly
5	TC-014-0003-000	1	Landing Sub
6	TC-014-0004-000	1	Bottom Sub
7	TC-014-0005-000	1	Stinger
8	TC-014-0006-000	1	Retaining Nut
13	OOO-V568-202	1	O-Ring 70 Durometer Viton
17	OOO-N569-234	2	O-Ring 90 Durometer Nitrile
18	OOO-N569-220	2	O-Ring 90 Durometer Nitrile
19	MI-305-3500-000	1	Seal Ring 3-1/2" EU

Not Included in Assemblies

Item	Part Number	Qty	Description
1	TC-010-1500-000	1	Mech'l Impact FH (shown)
1	TC-012-1500-000	↓	Mech'l. Impact Safety FH (LP)
1	TC-012-1500-200		Mech'l. Impact Safety FH (HP)
1	TC-020-1500-000		Pressure Activated FH (LP)
1	TC-020-1500-200		Pressure Activated FH (HP)
10	Reference		1
11	RTG-1250-401	1	Owen Peanut Charge
12	Reference	1	Top Sub
16	OOO-N569-230	2	O-Ring 90 Durometer Nitrile
20	Reference		Primacord/Booster Assy.

Item	Part Number	Qty	Description
--	TC-014-3500-099	--	Redress Kit 3-1/2" Wireline Set/Retrievable Firing Head
2	TC-014-0000-000	1	Initiator Housing
7	TC-014-0005-000	1	Stinger
8	TC-014-0006-000	1	Retaining Nut
9	TC-014-0007-000	1	Spacer
13	OOO-V568-202	1	O-Ring 70 Durometer Viton
14	OOO-N568-020	1	O-Ring 90 Durometer Nitrile
15	OOO-N569-113	1	O-Ring 90 Durometer Nitrile
17	OOO-N569-234	2	O-Ring 90 Durometer Nitrile
18	OOO-N569-220	2	O-Ring 90 Durometer Nitrile
19	MI-305-3500-000	1	Seal Ring 3-1/2" EU