

Description

The Owen Differential Firing Head was developed to allow low pressure actuation of TCP Guns.

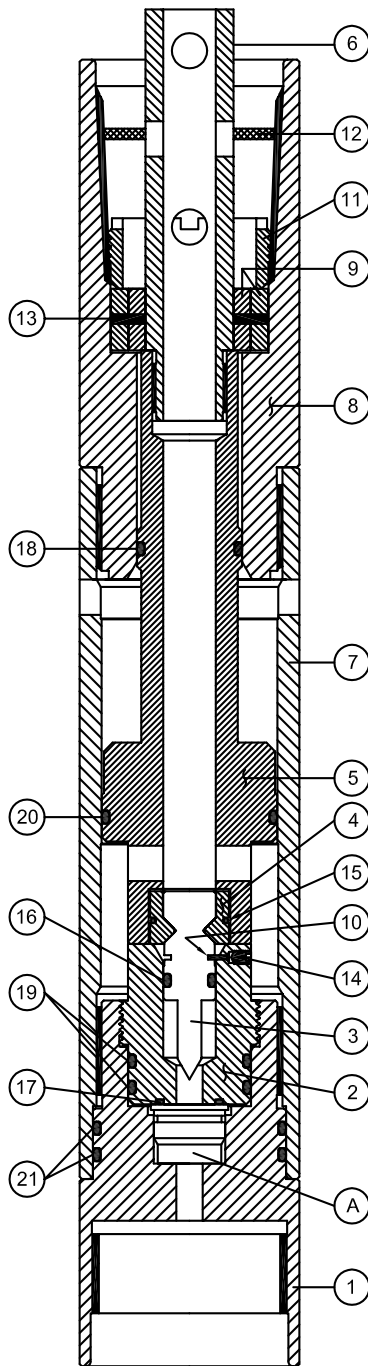
Features and Benefits

- Underbalance perforating in horizontal wells without a packer
- Pressure balanced when run in hole for improved safety & reliability
- Can be adapted to run as a annulus pressure operated firing head using Owen's Packer By-Pass System.
- Can be run with Owen Bar Activated Vent to open vent when firing.
- Can be utilized with Time Delay fuses to provide time to reduce applied pressures.

Specifications

O.D.	3.13"	7.9 cm
Make-up Length	18.5"	47 cm
Maximum Temperature ¹	250°F (121°C)	
Max. Hydrostatic	20,000 psi	137.9 MPa
Max. Differential	12,500 psi	86.1 MPa
Min. Hydrostatic	300 psi	2.1 MPa

¹The maximum temperature can be increased to 450°F (230°C) by substituting the 90 durometer Nitrile o-rings with 90 durometer Viton o-rings. Refer to the Time vs Temperature chart for Explosives to confirm an explosive requirement.



Item	Part Number	Qty.	Description	Old Part Number
--	TC-025-2375-000		Differential Firing Head 3-1/8" O.D.	TCP-0113-100
1	TC-025-0002-000	1	Firing Head Body	TCP-0113-134
2	TC-025-0001-000	1	Housing, Firing Pin	TCP-0113-132
3	TC-025-0000-000	1	Firing Pin	TCP-0113-133
4	TC-025-0003-000	1	Latching Keys	TCP-0113-119
5	TC-025-0004-000	1	Differential Piston	TCP-0113-109
6	TC-025-0005-000	1	Shifting Rod	TCP-0113-105
7	TC-025-0006-000	1	Lower Housing	TCP-0113-103
8	TC-025-0007-000	1	Upper Housing	TCP-0113-102
9	TC-025-0008-000	1	Shear Ring Set	TCP-0113-106
10	SF-010-0625-040B	1	Shear Pin, Brass	TCP-0113-112
11	TC-090-0001-000	1	Lock Ring	TCP-0101-006
12	MI-305-2375-000	1	API Seal Ring	TCP-0100-160
13	SF-010-0130-045	12	Shear Pins	TCP-0100-270
14	PF-001-019F-025S	1	Set Screw	PUR-0504-019
15	OOO-N569-021	1	O-Ring N-90	--
16	OOO-N569-113	1	O-Ring N-90	--
17	OOO-N569-116	1	O-Ring N-90	--
18	OOO-N569-218	1	O-Ring N-90	--
19	OOO-N569-222	2	O-Ring N-90	--
20	OOO-N569-228	1	O-Ring N-90	--
21	OOO-N569-230	2	O-Ring, N-90	--
A	Reference	1	Percussion Detonator	--
--	TC-025-2375-099	--	Redress Kit	TCP-0113-101
	MAN-TC-025		Assembly Manual	MAN-0113-100

Item	Part Number	Qty.	Description	Old Part Number
--	TC-025-2375-099	--	Redress Kit	TCP-0113-101
10	SF-010-0625-040B	1	Shear Pin, Brass	TCP-0113-112
12	MI-305-2375-000	1	API Seal Ring	TCP-0100-160
13	SF-010-0130-045	12	Shear Pins	TCP-0100-270
14	PF-001-019F-025S	1	Set Screw	PUR-0504-019
15	OOO-N569-021	1	O-Ring N-90	--
16	OOO-N569-113	1	O-Ring N-90	--
17	OOO-N569-116	1	O-Ring N-90	--
18	OOO-N569-218	1	O-Ring N-90	--
19	OOO-N569-222	2	O-Ring N-90	--
20	OOO-N569-228	1	O-Ring N-90	--
21	OOO-N569-230	2	O-Ring, N-90	--