

DESCRIPTION

The Coiled Tubing Plug and Shoot system is used in conjunction with the HTD-BLAST® System (TC-044-XXXX-000) to set a bridge plug and perforate in one run into the wellbore. The system is attached to the bottom of the last perforating gun of the HTD-BLAST® System. Pressure is applied to the wellbore which initiates Owen’s Pressure Activated Firing Head (TC-020-1688-000). The power charge in the setting tool is ignited upon detonation. After the bridge plug is set, the HTD-BLAST® System is activated using a Ball Activated Differential Safety Firing Head (TC-022-2375-000/200 or TC-031-2750-000/200).

FEATURES AND BENEFITS

- Allows a bridge plug and perforating guns to be run in one trip
- Run with Owen’s reliable HTD-BLAST® System
- Uses Owen’s proven and reliable TCP firing heads
- Separate firing heads for setting of bridge plug and initiating HTD-BLAST® perforating system

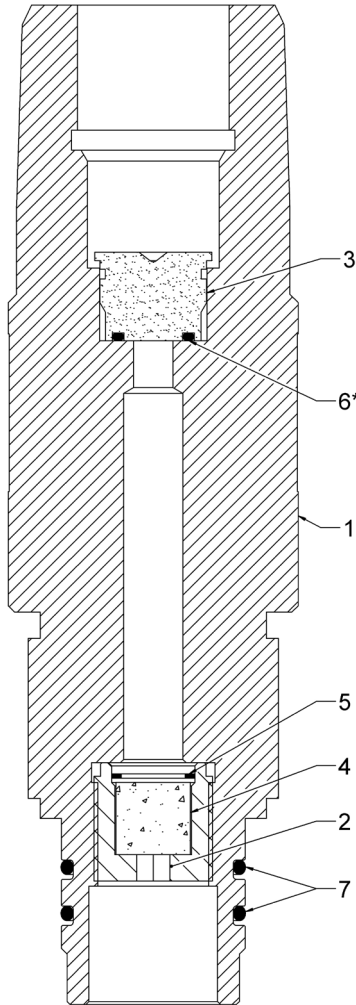
APPLICATIONS

- After frac screen out and injection rate is not sufficient to pump wireline guns down to set plug and perforate next stage
- Wet Shoe or mechanical sleeve/valve failure and injection rate is not sufficient to pump wireline guns down to set plug and perforate next stage
- Well configurations or restrictions create too much friction to pump wireline guns down to set plug and perforate

SPECIFICATIONS

	TC-045-2375-010	TC-045-2375-020
Make Up Length	3.83” (97.3 mm)	3.32” (84.3 mm)
Diameter	2.75” (69.9 mm)	3.81” (96.8 mm)
Max. Hydrostatic	15,000 psi (103.4 MPa)	15,000 psi (103.4 MPa)
Max. Temperature*	250°F (121° C)	250°F (121° C)
Tensile Strength	90,000 lbf (39,960 daN)	90,000 lbf (39,960 daN)
Top Connection	2-3/8” 8rd EUE Pin	2-3/8” 8rd EUE Pin
Bottom Connection	Baker #10	Baker #20

* The maximum temperature can be increased to 450°F (230°C) by substituting the 90 durometer Nitrile O-rings with 90 durometer Viton O-rings. Refer to the Time vs Temperature Chart for Explosives to confirm any explosives requirements.



ITEM	PART NUMBER	QTY.	DESCRIPTION
1	TC-045-0002-010	1	Body, 2-3/8 EUE to Baker #10
1	TC-045-0002-020	1	Body, 2-3/8 EUE to Baker #20
2	TC-045-0005-000	1	Retainer, Secondary Igniter
3	2-350580	1	RDM Initiator (Sold Separately)
	51-6956-3	1	Detonator, CP (sold separately)
4	PUR-6000-102	1	Secondary Igniter, Baker
5	N5000-75	1	Snap Ring, Comes with Igniter
6	OOO-N569-113	1	O-ring, N-90 (comes w/ CP)
7	OOO-N569-222	2	O-ring, N-90 Baker #10 (sold separately)
	OOO-N569-328	2	O-ring, N-90 Baker #20 (sold separately)

NOTE: Must use O-ring #113 that comes with the CP Detonator.
The O-ring goes on the bottom of the detonator to provide a seal.