

The Automatic Gun Release System is run when it is desirable to drop the gun after firing. This tool is designed to fit onto the top of the gun. A short section of detonating cord runs through the center of the tool below the explosive transfer device. Several types of Owen Firing Heads can be threaded into the top of this tool for detonation of the gun system. The gun is activated by either; a Mechanical Impact Firing Head, a Safety Impact Firing Head (LP and HP), Pressure Activated Firing Head, Electronic Time Delay Firing Head, or the Dual Fire System for 4.5" TAG gun systems.

### ADVANTAGES:

- Allows for immediate release of guns.
- Eliminate the need to run wireline release guns.
- Designed for both underbalance or highly overbalanced release operations.
- Anti-torque tabs to prevent rotation.

### SPECIFICATIONS:

	TC-050-4500-400	TC-050-4500-500
O.D.	4.50" (11.43 cm)	
I.D. AFTER RELEASE	N/A	2.91" (7.39 cm)
MAKE-UP LENGTH	15.78" (40.08 cm)	
MAXIMUM TEMPERATURE <sup>1</sup>	250°F (121.1 °C)	
MAXIMUM HYDROSTATIC	18,000 psi (124.1 Mpa)	
MAXIMUM DIFFERENTIAL	10,000 psi (137.9 Mpa)	
TENSILE STRENGTH (@72°F, 22.2°C)	127,500 lbf. (56,700 daN)	
MAXIMUM TORQUE	15,000 ft-lbf (20,300 Nm)	
MINIMUM WEIGHT TO RELEASE	650 lbf. (294.8 kg)	
MINIMUM ACTIVATION PRESSURE <sup>2</sup>	350 psi (2.4 Mpa)	
TOP CONNECTION	4.5" Heavy Duty Top Sub	3-1/2 EUE
BOTTOM CONNECTION	4.5" Heavy Duty Top Sub	

<sup>1</sup>The maximum temperature can be increased to 400°F (204°C) by substituting the 90 durometer Nitrile O-Ring with 90 durometer Viton O-Rings. Refer to the Time vs. Temperature chart for Explosives to confirm any explosives requirements.

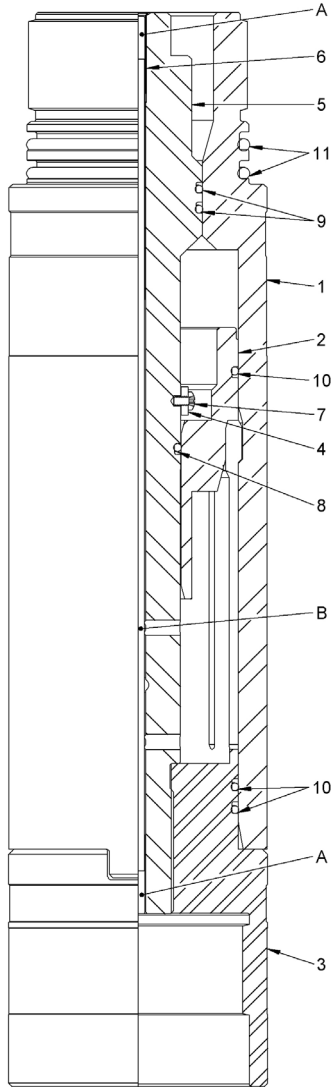
<sup>2</sup> This is the minimum pressure (annulus) required to insure operation.

### NOTES:

Do not use the tubular collar No-Go, TC-170-3500-000 when using the TC-050-4500-500 Automatic Gun Release. Use the Impact No-Go, TC-010-0030-110 which attaches directly to a drop bar firing impact body and falls away with the guns when released, leaving no restriction.

This system can be run as a closed or open system, when a circulation or fill sub is used above the AGR.

# Automatic Gun Release "AGR" 4.5" - 7" TAG Guns



## BILL OF MATERIALS:

ITEM	PART NUMBER	QTY	DESCRIPTION
--	TC-050-4500-400	--	4.5" O.D., Automatic Gun Release for 4.5" Dual Fire System
1	TC-050-0008-450	1	Upper Housing w/ Tabs, Heavy Duty, 4.5" O.D. AGR
2	TC-050-0002-450	1	Locking Piston, 4.5" O.D. AGR
3	TC-050-0009-450	1	Collet Sub, Heavy Duty, 4.5" O.D. AGR
4	TC-050-0004-450	1	Retainer Ring, 4.5" O.D. AGR
5	TC-050-0005-450	1	Center Stem, Dual Fire System, 4.5" O.D. AGR
6*	TC-050-0005-000	1	Booster Support Tube
7*	PF-030-016C-025B	2	Retainer Screw, Brass
8*	OOO-N569-218	1	O-Ring 218, Nitrile
9*	OOO-N569-226	2	O-Ring 226, Nitrile
10*	OOO-N569-236	3	O-Ring 236, Nitrile
11*	OOO-N569-341	2	O-Ring 342, Nitrile
-	TC-050-4500-499		Redress Kit, Nitrile, 4.5" O.D., AGR
-	TC-050-4500-498	--	High Temp. Redress Kit, Viton, 4.5" O.D., AGR
A	--	2	Bi-Directional Booster (explosive component)
B	--	--	Detonating Cord (explosive component)
-	MAN-TC-050-4500	--	Procedure Manual, 4.5" O.D., AGR

\*Denotes parts in redress kit.

## NOTES:

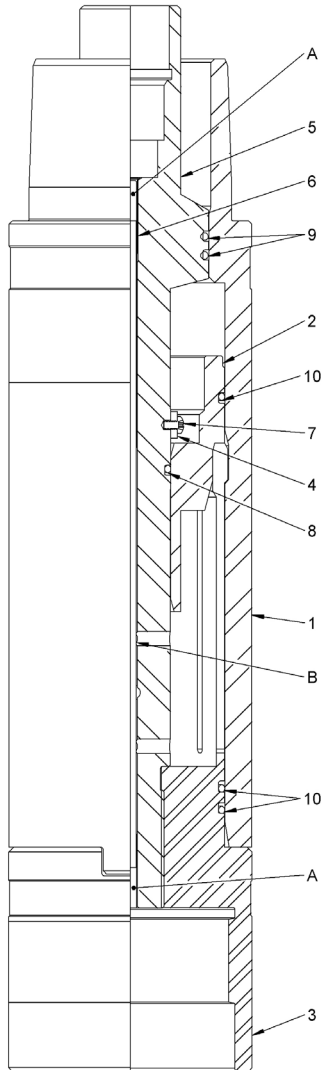
Explosives sold separately.

This system does not have a full bore after release. In order to circulate through the tubing, a venting system must be run above the auto gun release.

# Automatic Gun Release "AGR" 4.5" - 7" TAG Guns

## TECHNICAL INFORMATION:

### BILL OF MATERIALS:



ITEM	PART NUMBER	QTY	DESCRIPTION
--	TC-050-4500-500	--	4.5" O.D., Automatic Gun Release
1	TC-050-0010-450	1	Upper Housing w/ Tabs, 3.5 EUE PIN, HD 4.5" O.D. AGR
2	TC-050-0002-450	1	Locking Piston, 4.5" O.D. AGR
3	TC-050-0009-450	1	Collet Sub, Heavy Duty, 4.5" O.D. AGR
4	TC-050-0004-450	1	Retainer Ring, 4.5" O.D. AGR
5	TC-050-0007-450	1	Center Stem, 4.5" O.D. AGR
6*	TC-050-0005-000	1	Booster Support Tube
7*	PF-030-016C-025B	2	Retainer Screw, Brass
8*	OOO-N569-218	1	O-Ring 218, Nitrile
9*	OOO-N569-231	2	O-Ring 226, Nitrile
10*	OOO-N569-236	3	O-Ring 236, Nitrile
-	TC-050-4500-599		Redress Kit, Nitrile, 4.5" O.D., AGR
-	TC-050-4500-598	--	High Temp. Redress Kit, Viton, 4.5" O.D., AGR
A	--	2	Bi-Directional Booster (explosive component)
B	--	--	Detonating Cord (explosive component)
-	MAN-TC-050-4500	--	Procedure Manual, 4.5" O.D., AGR

\*Denotes parts in redress kit.

### NOTES:

Explosives sold separately.

Can be used with Impact No-Go for 3-1/2" (TC-010-0030-110).

To prevent hydraulic locking, annulus pressure must not exceed tubing pressure. When run with a mechanical firing head, a venting system must be run above the auto gun release.